

Copyright 2009 Keystone Retaining Wall Systems

This document may contain proprietary information and shall not be duplicated in whole or in part, nor distributed to others without written consent of Keystone Retaining Wall Systems, Inc.

The suitability and/or manner of use of any details contained in this document is the sole responsibility of the user. Final project specific designs shall be prepared by a licensed professional engineer.



4444 W 78th Street
Minneapolis, MN 55435
952-897-1040

Designed By:
RKM

Checked By:

Scale:
1/2" = 1'-0"

Title:

Fireplace w/Wood Box Isometric

Project:

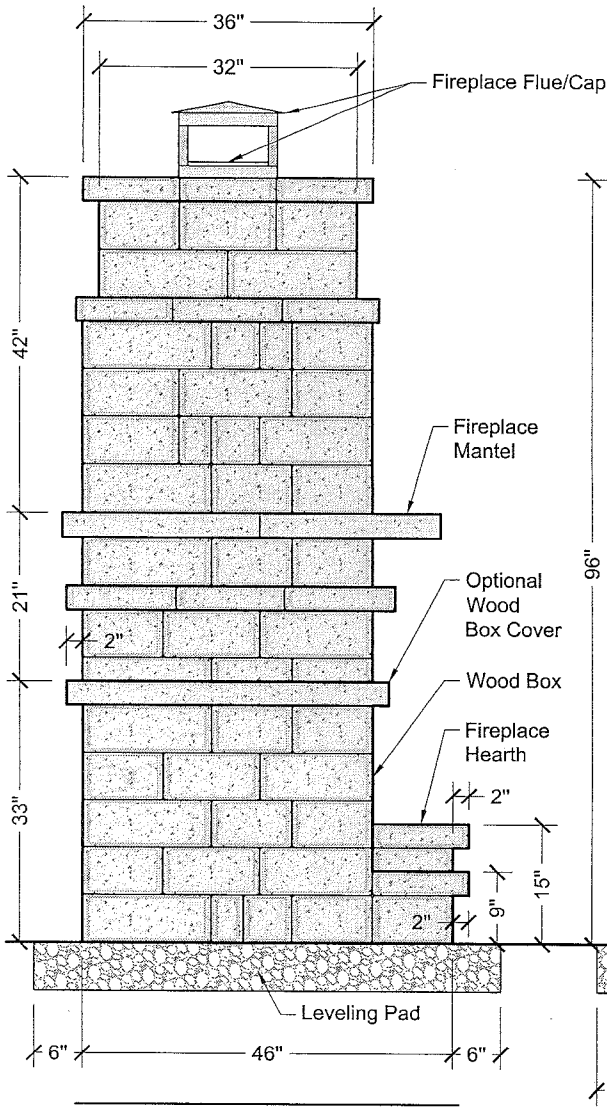
Sunderland 42" Wood Fireplace Kit Details

Date:

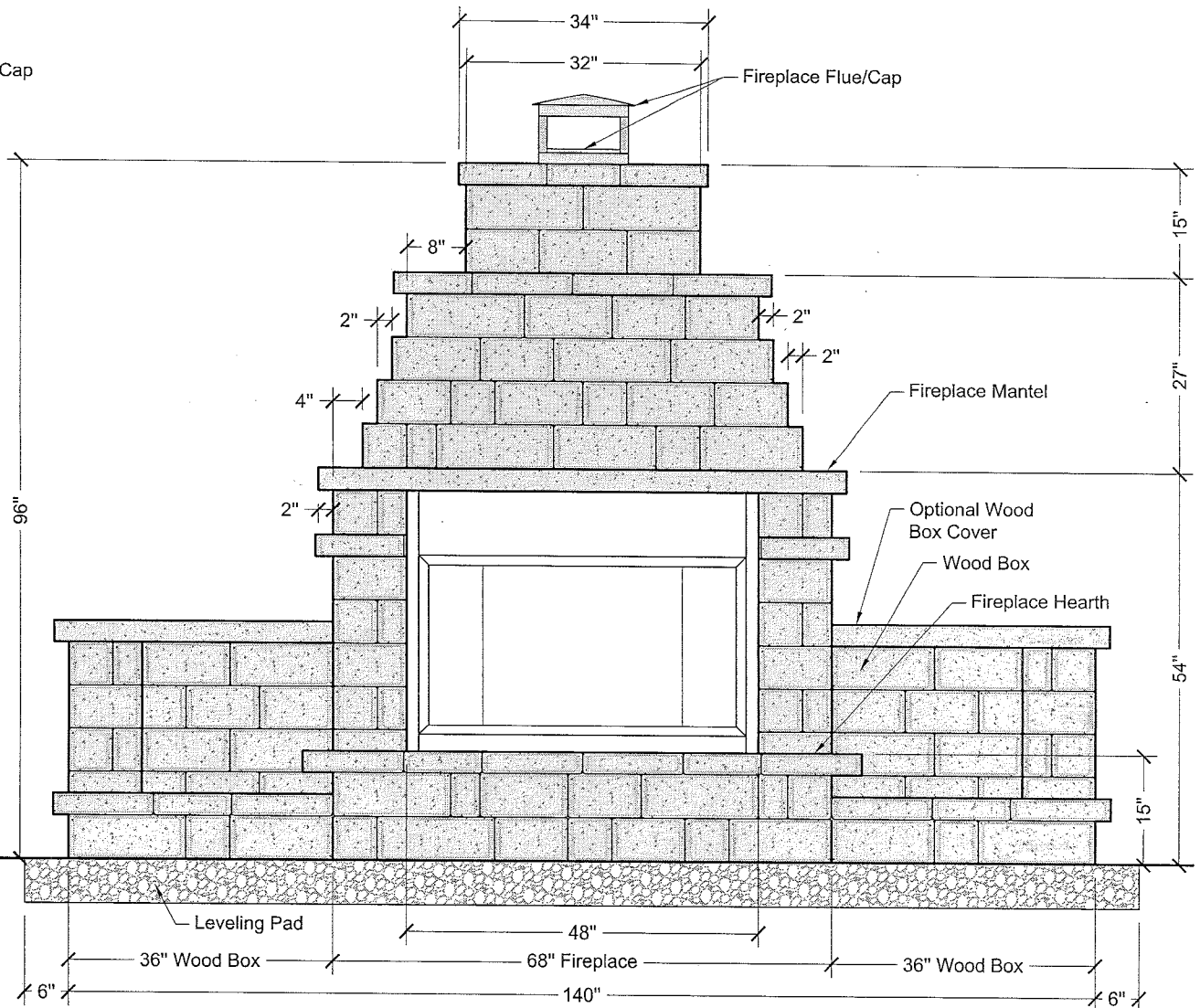
04/2009

Drawing No:

1 of 1



Fireplace Kit w/Wood Box
Side Elevation



Fireplace Kit w/Wood Box Front Elevation

Copyright 2009 Keystone Retaining Wall Systems

This document may contain proprietary information and shall not be duplicated in whole or in part, nor distributed to others without written consent of Keystone Retaining Wall Systems, Inc.

The suitability and/or manner of use of any details contained in this document is the sole responsibility of the user. Final project specific designs shall be prepared by a licensed professional engineer.



4444 W 78th Street
Minneapolis, MN 55435
952-897-1040

Designed By:
RKM

Checked By:

Scale:
1/2" = 1'-0"

Title:

Fireplace w/Wood Box Elevations

Project:

Sunderland 42" Wood Fireplace Kit Details

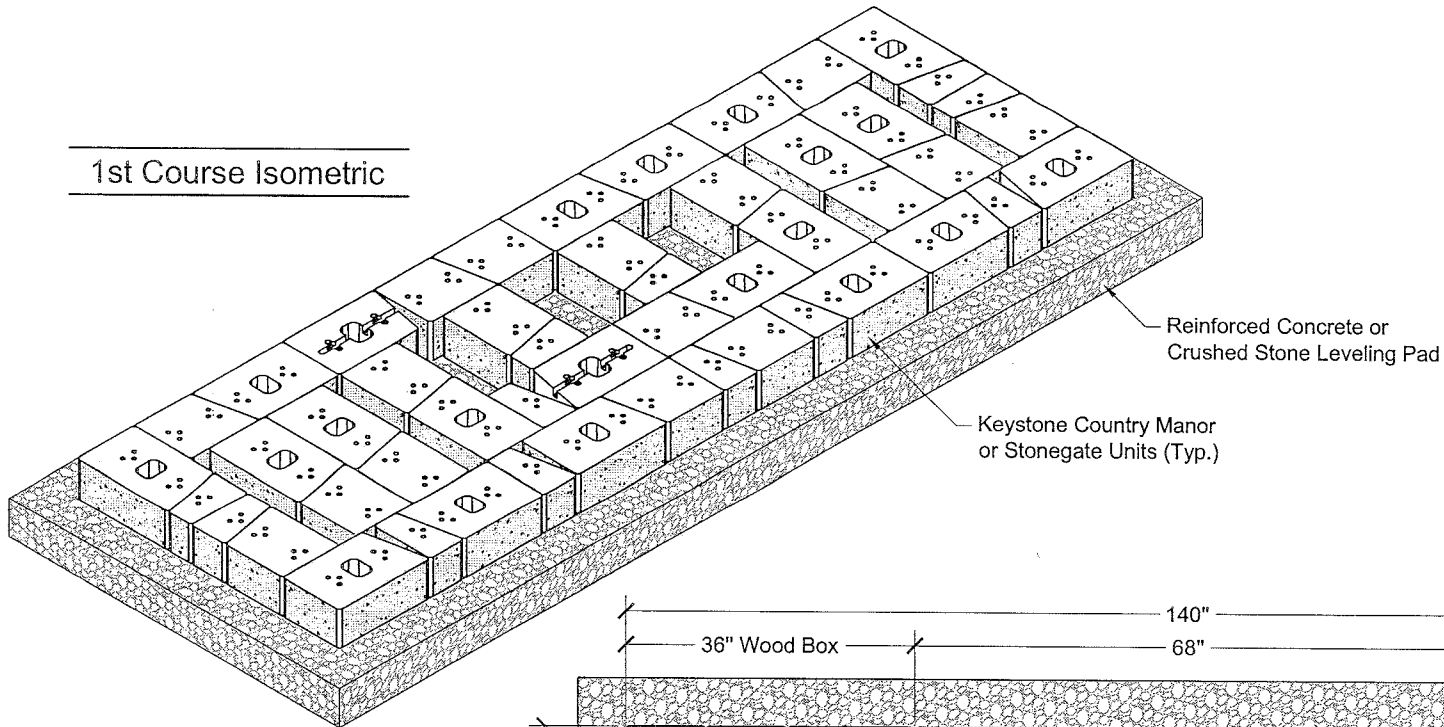
Date:

04/2009

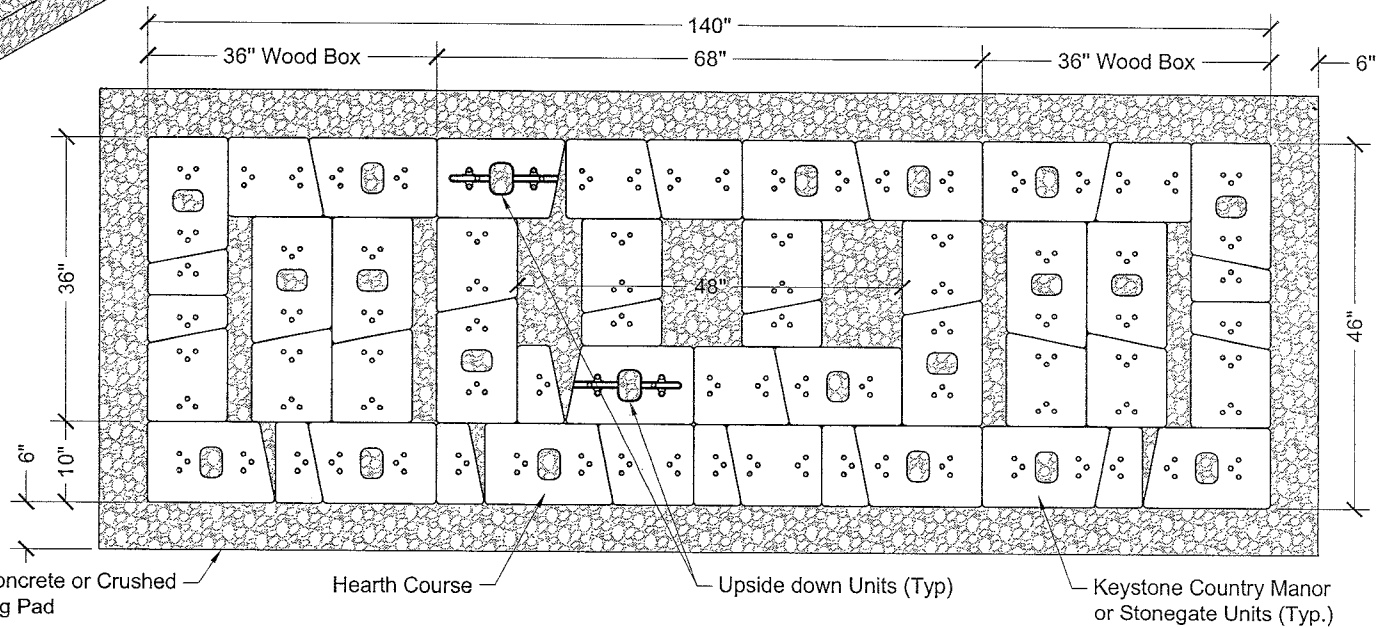
Drawing No:

1 of 1

1st Course Isometric



1st Course Plan



Note:

This fireplace design uses either Keystone Country Manor or Stonegate units.

Units shown are dimensioned as follows:

- Large Unit "A" - 16"/14"
- Medium Unit "B" - 12"/10"
- Small unit "C" - 6"/4"
- All Units are 10" in depth

Copyright 2009 Keystone Retaining Wall Systems

This document may contain proprietary information and shall not be duplicated in whole or in part, nor distributed to others without written consent of Keystone Retaining Wall Systems, Inc.

The suitability and/or manner of use of any details contained in this document is the sole responsibility of the user. Final project specific designs shall be prepared by a licensed professional engineer.



4444 W 78th Street
Minneapolis, MN 55435
952-897-1040

Designed By:
RKM

Checked By:

Scale:
1/2" = 1'-0"

Title:

1st Course Layout Details

Project:

Sunderland 42" Wood Fireplace Kit Details

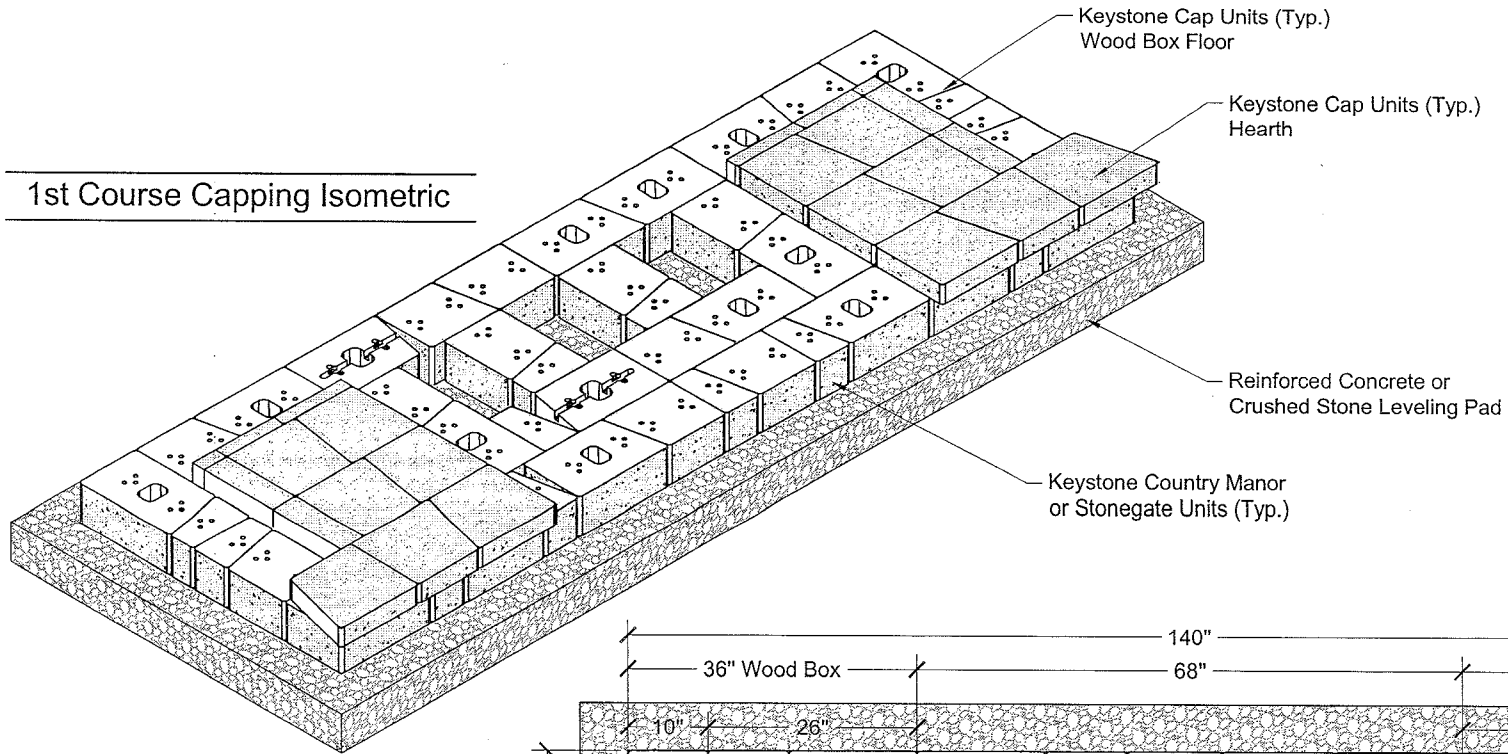
Date:

04/2009

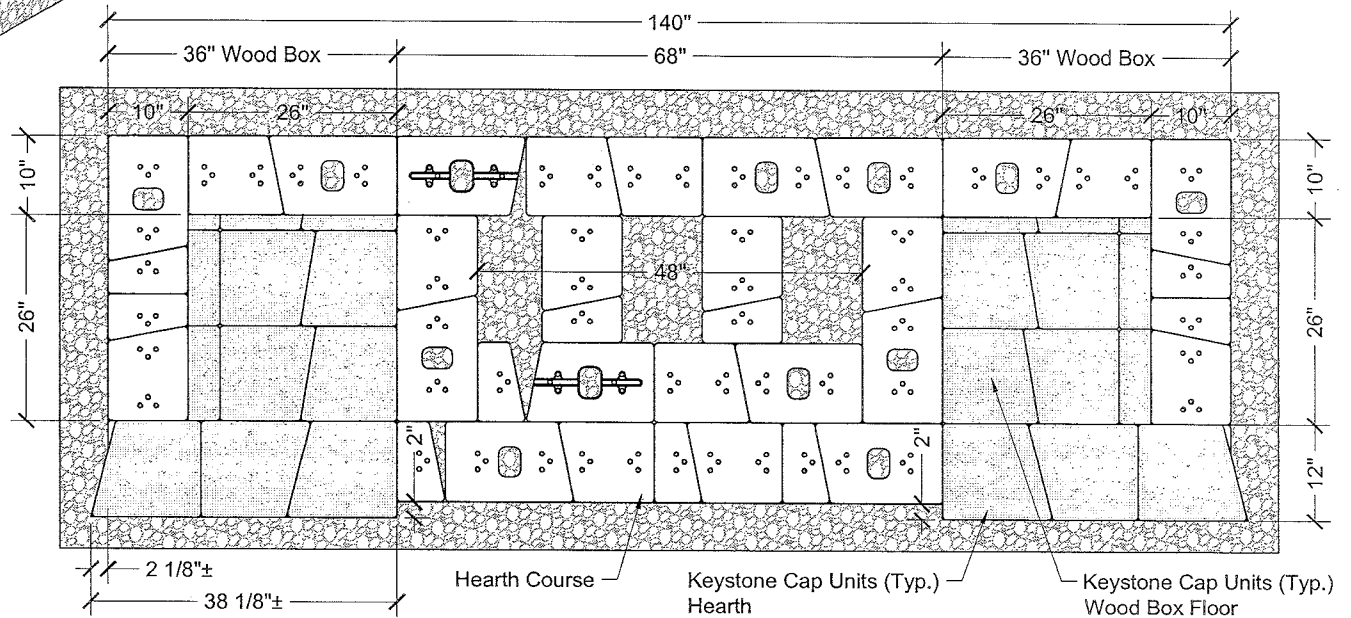
Drawing No:

1 of 1

1st Course Capping Isometric



1st Course Capping Plan



Note:

This fireplace design uses either Keystone Country Manor or Stonegate units.

Units shown are dimensioned as follows:

- Large Unit "A" - 16"/14"
- Medium Unit "B" - 12"/10"
- Small unit "C" - 6"/4"
- All Units are 10" in depth

Copyright 2009 Keystone Retaining Wall Systems

This document may contain proprietary information and shall not be duplicated in whole or in part, nor distributed to others without written consent of Keystone Retaining Wall Systems, Inc.

The suitability and/or manner of use of any details contained in this document is the sole responsibility of the user. Final project specific designs shall be prepared by a licensed professional engineer.



4444 W 78th Street
Minneapolis, MN 55435
952-897-1040

Designed By:
RKM

Checked By:

Scale:
1/2" = 1'-0"

Title:

1st Course Capping Layout Details

Project:

Sunderland 42" Wood Fireplace Kit Details

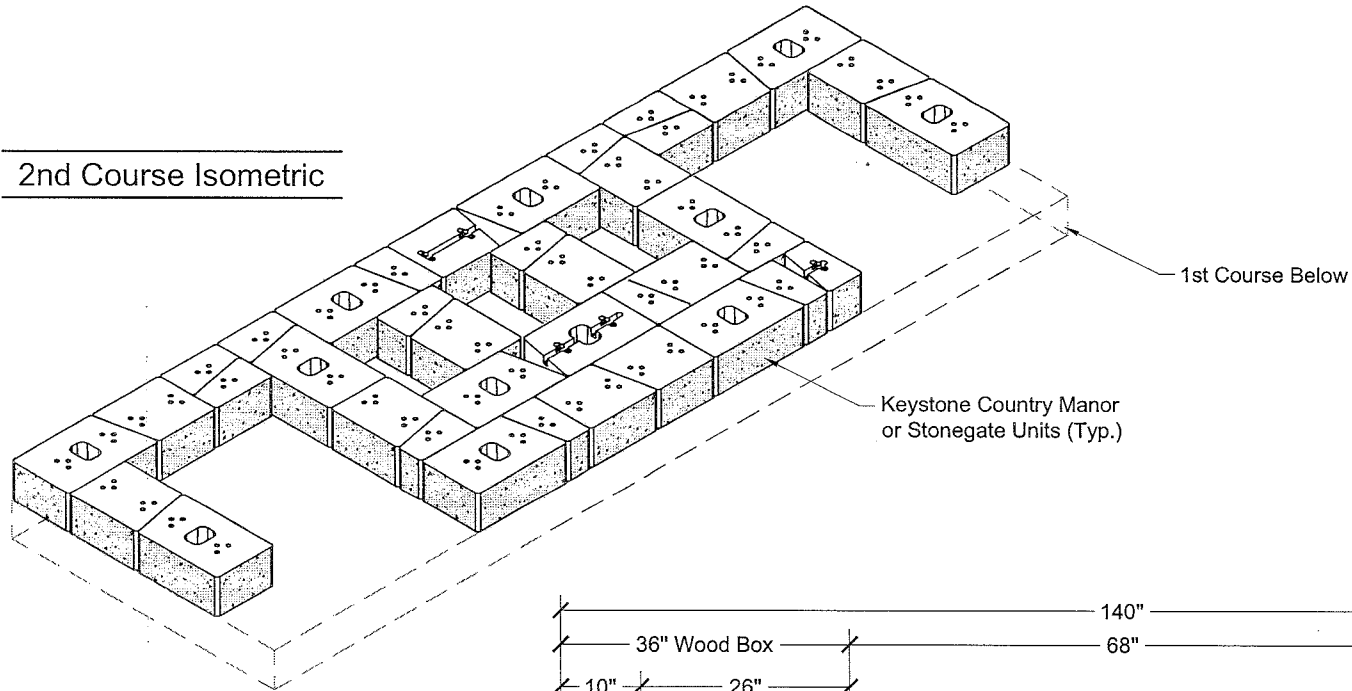
Date:

04/2009

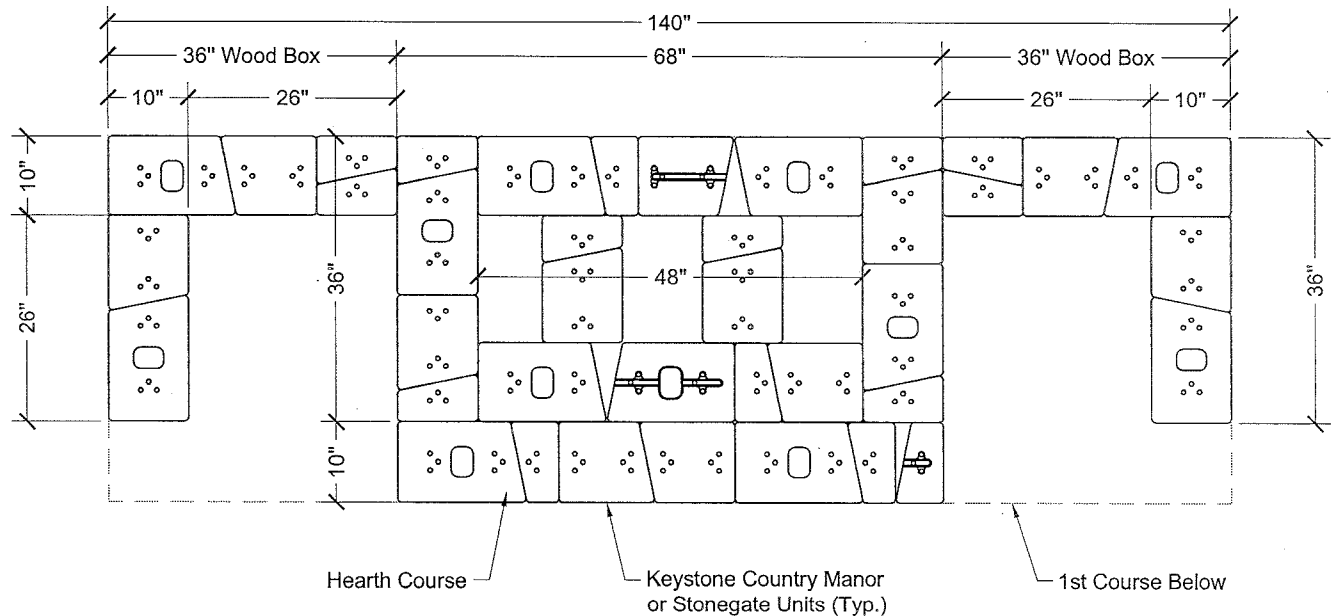
Drawing No:

1 of 1

2nd Course Isometric



2nd Course Plan



Note:

This fireplace design uses either Keystone Country Manor or Stonegate units.

Units shown are dimensioned as follows:

- Large Unit "A" - 16"/14"
- Medium Unit "B" - 12"/10"
- Small unit "C" - 6"/4"
- All Units are 10" in depth

Copyright 2009 Keystone Retaining Wall Systems

This document may contain proprietary information and shall not be duplicated in whole or in part, nor distributed to others without written consent of Keystone Retaining Wall Systems, Inc.

The suitability and/or manner of use of any details contained in this document is the sole responsibility of the user. Final project specific designs shall be prepared by a licensed professional engineer.



4444 W 78th Street
Minneapolis, MN 55435
952-897-1040

Designed By:
RKM

Checked By:

Scale:
1/2" = 1'-0"

Title:

2nd Course Layout Details

Project:

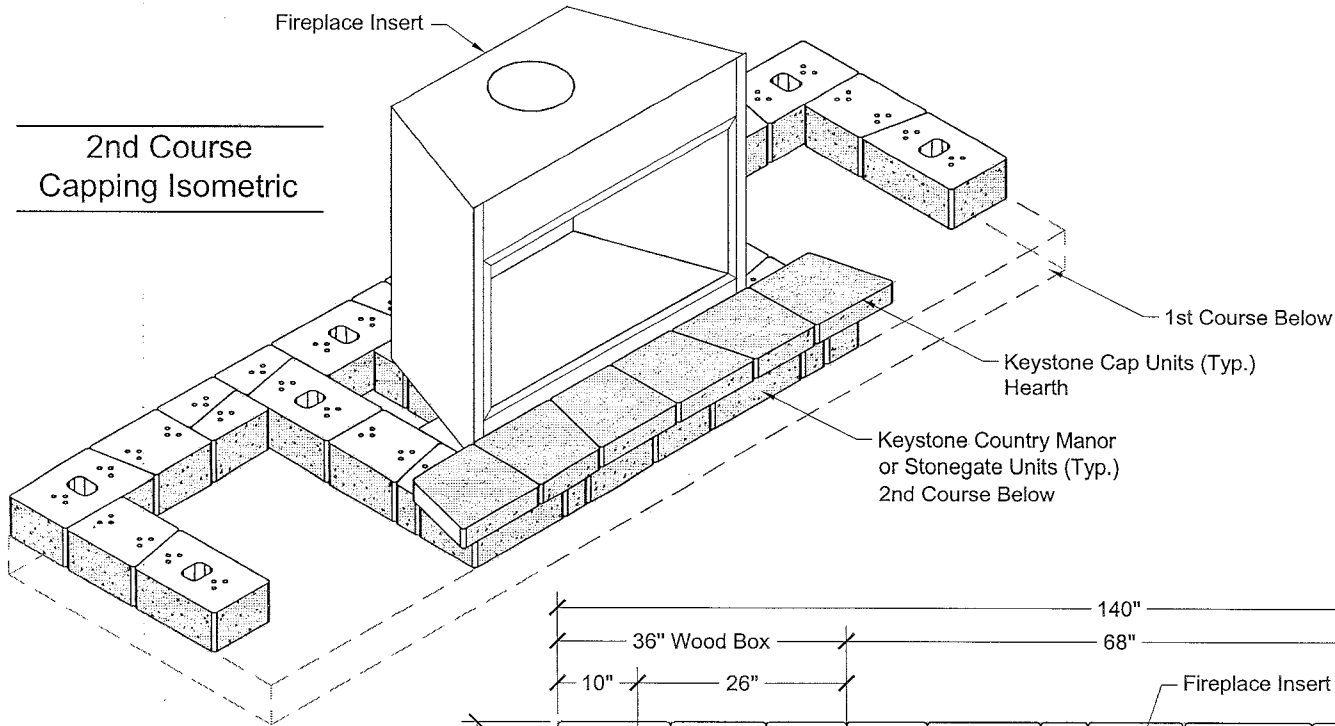
Sunderland 42" Wood Fireplace Kit Details

Date:

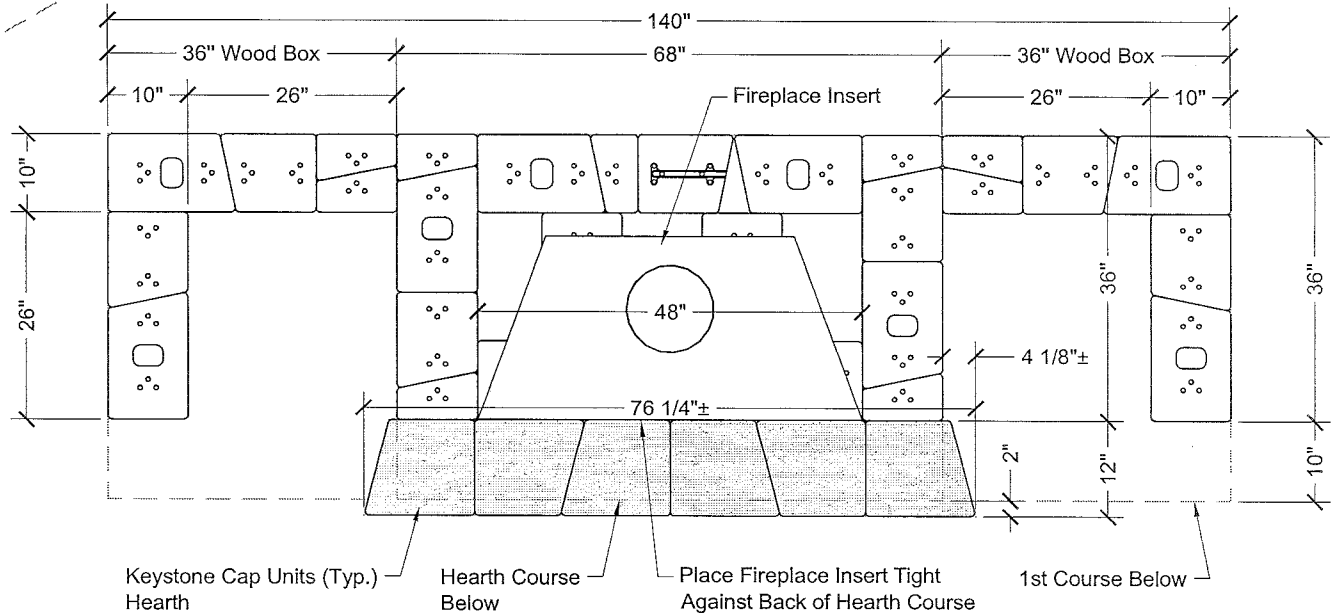
04/2009

Drawing No:

1 of 1



2nd Course Capping Plan



- Note:**
 This fireplace design uses either Keystone Country Manor or Stonegate units.
 Units shown are dimensioned as follows:
- Large Unit "A" - 16"/14"
 - Medium Unit "B" - 12"/10"
 - Small unit "C" - 6"/4"
 - All Units are 10" in depth

Copyright 2009 Keystone Retaining Wall Systems

This document may contain proprietary information and shall not be duplicated in whole or in part, nor distributed to others without written consent of Keystone Retaining Wall Systems, Inc.

The suitability and/or manner of use of any details contained in this document is the sole responsibility of the user. Final project specific designs shall be prepared by a licensed professional engineer.



4444 W 78th Street
 Minneapolis, MN 55435
 952-897-1040

Designed By:
 RKM

Checked By:

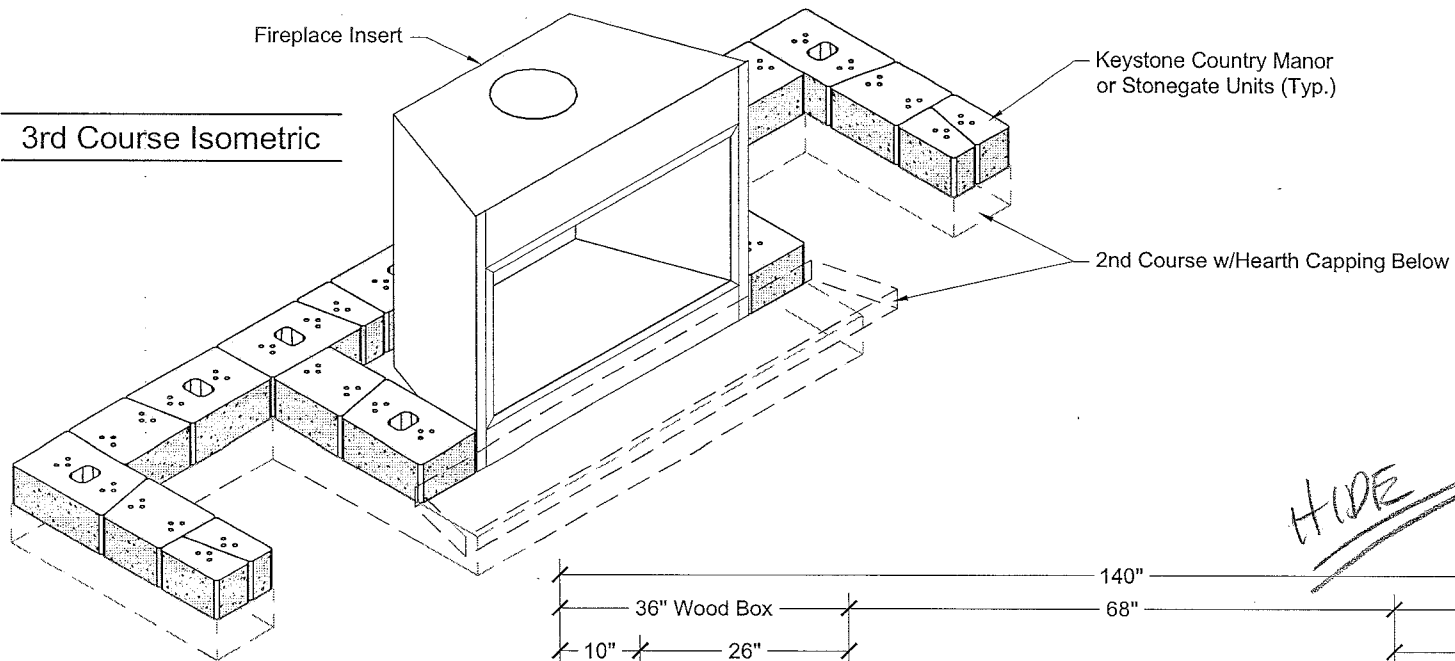
Scale:
 1/2" = 1'-0"

Title:
 2nd Course Capping Layout Details

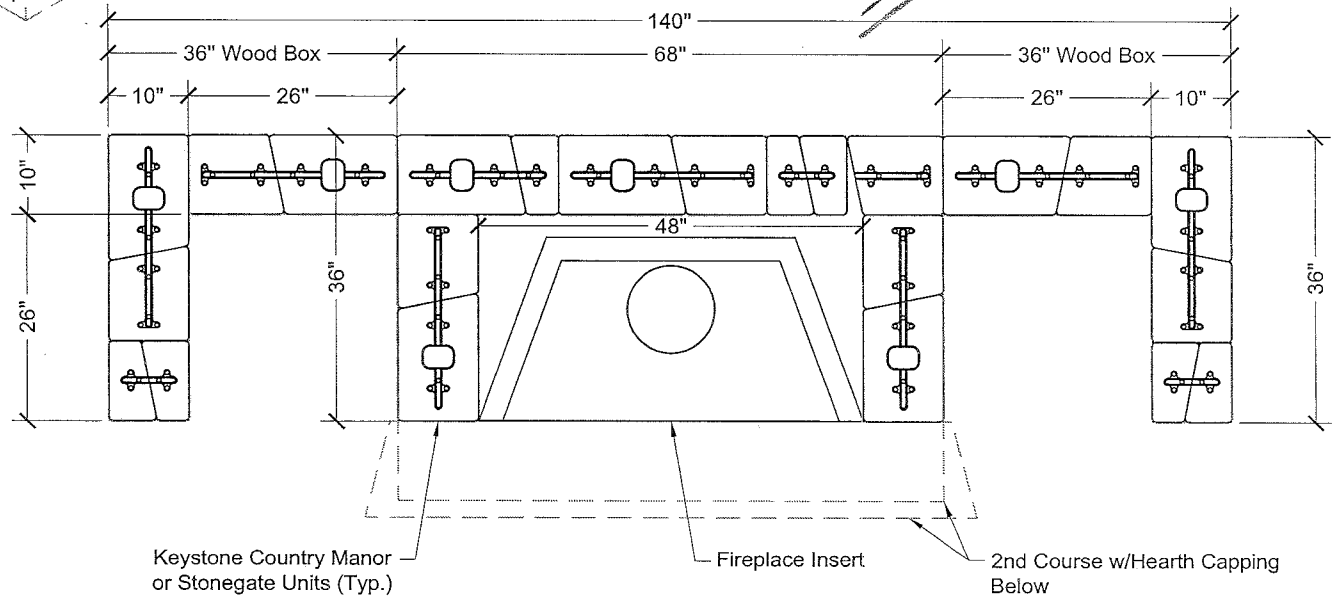
Project:
 Sunderland 42" Wood Fireplace Kit Details

Date:
 04/2009

Drawing No:
 1 of 1



3rd Course Isometric



3rd Course Plan

Note:

This fireplace design uses either Keystone Country Manor or Stonegate units.

Units shown are dimensioned as follows:

- Large Unit "A" - 16"/14"
- Medium Unit "B" - 12"/10"
- Small unit "C" - 6"/4"
- All Units are 10" in depth

Copyright 2009 Keystone Retaining Wall Systems

This document may contain proprietary information and shall not be duplicated in whole or in part, nor distributed to others without written consent of Keystone Retaining Wall Systems, Inc.

The suitability and/or manner of use of any details contained in this document is the sole responsibility of the user. Final project specific designs shall be prepared by a licensed professional engineer.



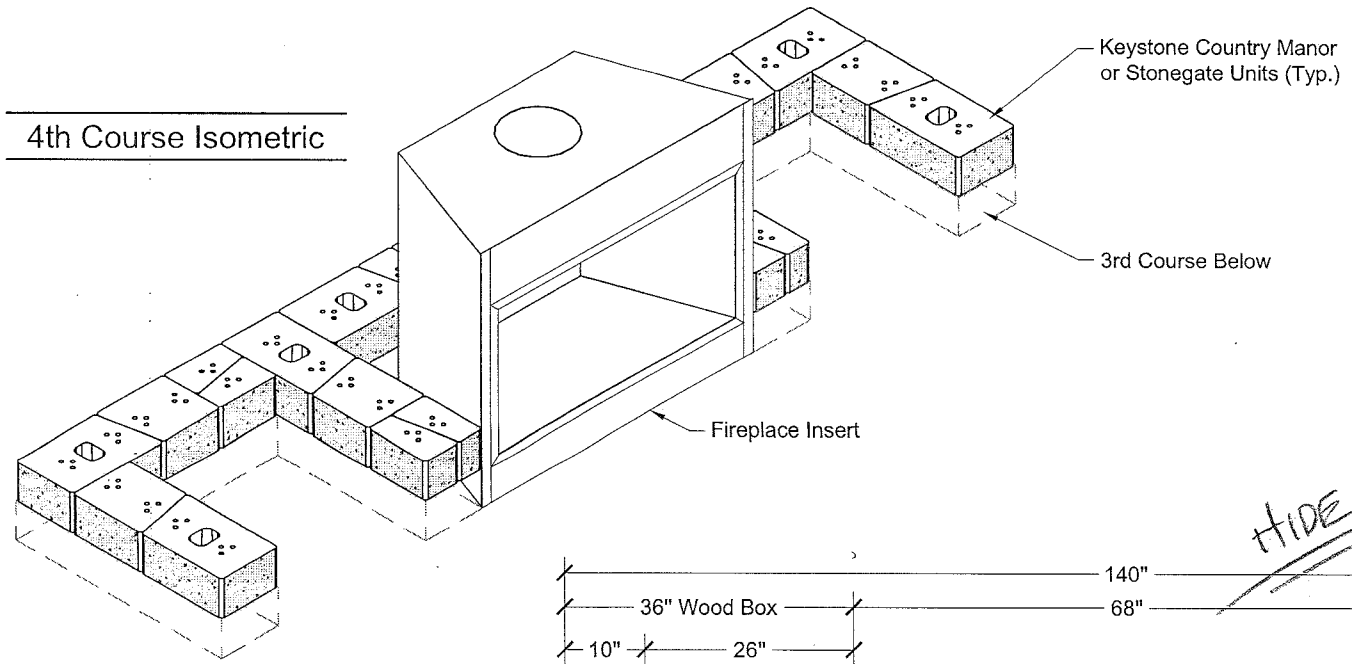
4444 W 78th Street
Minneapolis, MN 55435
952-697-1040

Designed By:
RKM
Checked By:
Scale:
1/2" = 1'-0"

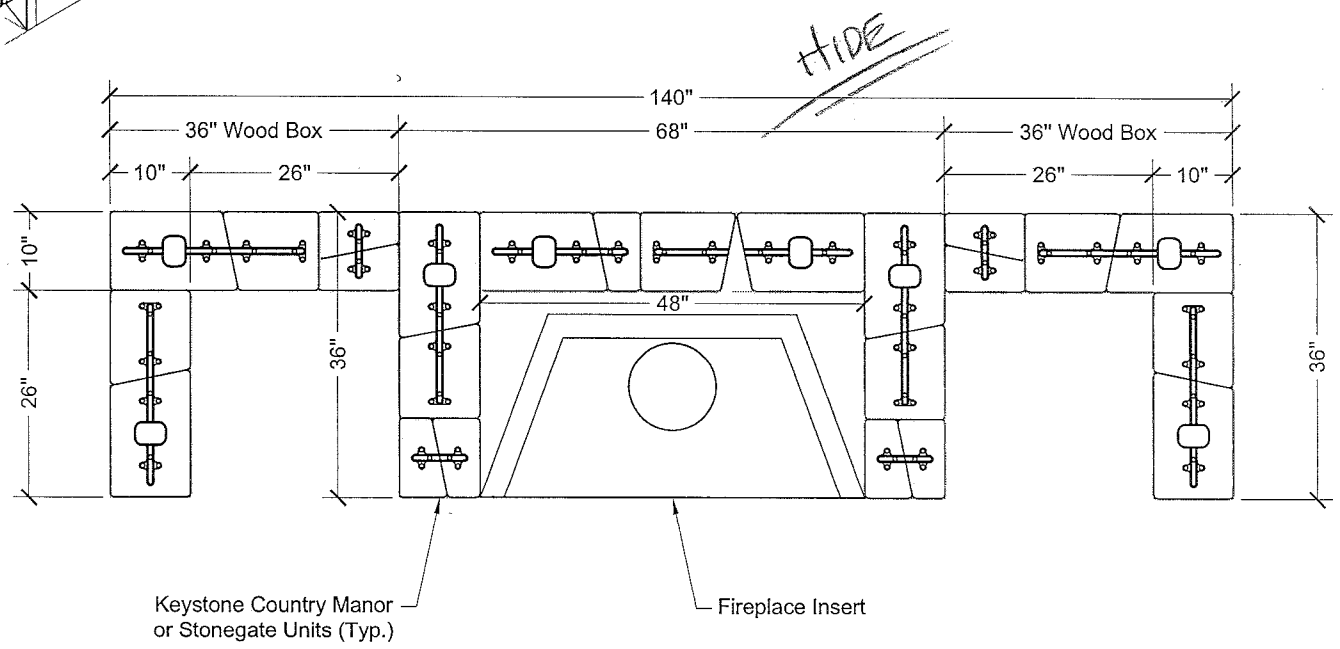
Title:
3rd Course Layout Details
Project:
Sunderland 42" Wood Fireplace Kit Details

Date:
04/2009
Drawing No:
1 of 1

4th Course Isometric



4th Course Plan



Note:
 This fireplace design uses either Keystone Country Manor or Stonegate units.
 Units shown are dimensioned as follows:

- Large Unit "A" - 16"/14"
- Medium Unit "B" - 12"/10"
- Small unit "C" - 6"/4"
- All Units are 10" in depth

Copyright 2009 Keystone Retaining Wall Systems
 This document may contain proprietary information and shall not be duplicated in whole or in part, nor distributed to others without written consent of Keystone Retaining Wall Systems, Inc.
 The suitability and/or manner of use of any details contained in this document is the sole responsibility of the user. Final project specific designs shall be prepared by a licensed professional engineer.

KEYSTONE
 RETAINING WALL SYSTEMS
 A CONTECH COMPANY

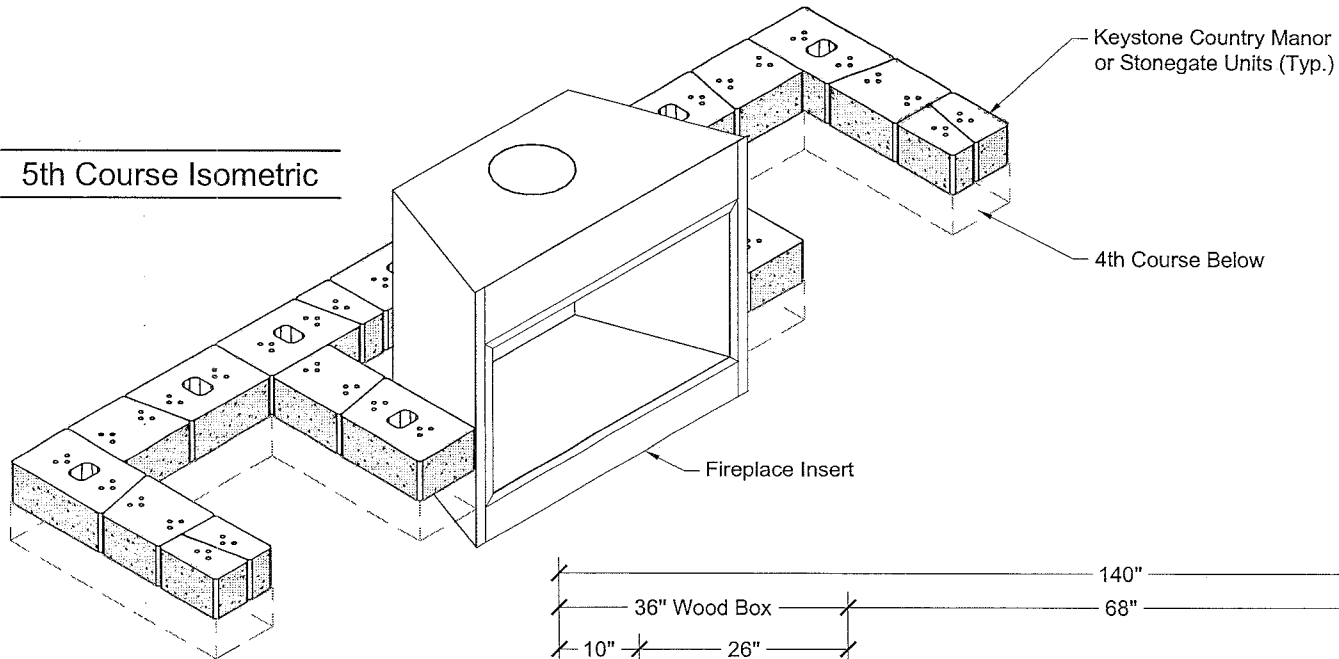
4444 W 78th Street
 Minneapolis, MN 55435
 952-897-1040

Designed By:
 RKM
 Checked By:
 Scale:
 1/2" = 1'-0"

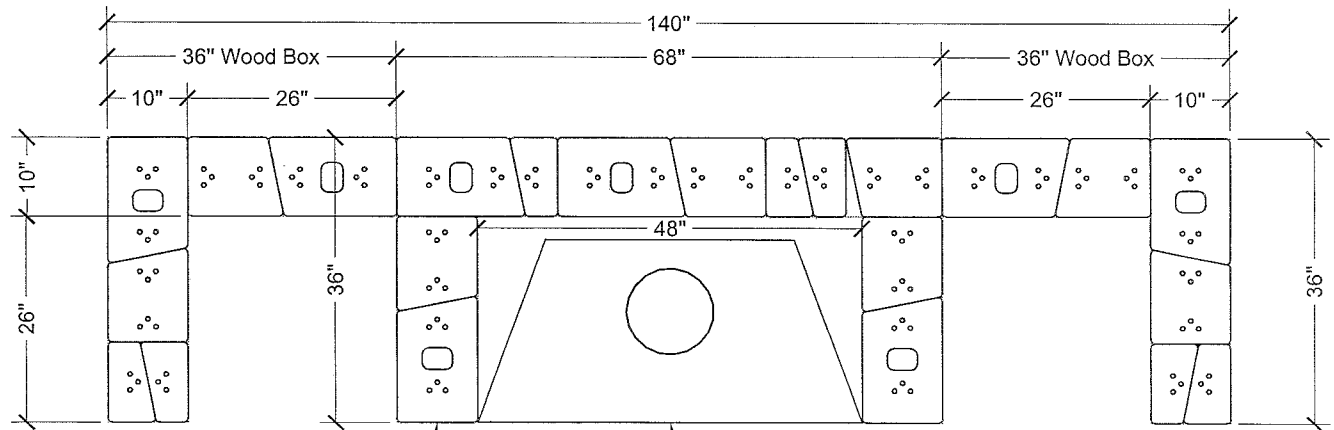
Title:
 4th Course Layout Details
 Project:
 Sunderland 42" Wood Fireplace Kit Details

Date:
 04/2009
 Drawing No:
 1 of 1

5th Course Isometric



5th Course Plan



Keystone Country Manor
or Stonegate Units (Typ.)

Fireplace Insert

Note:

This fireplace design uses either Keystone Country Manor or Stonegate units.

Units shown are dimensioned as follows:

- Large Unit "A" - 16"/14"
- Medium Unit "B" - 12"/10"
- Small unit "C" - 6"/4"
- All Units are 10" in depth

Copyright 2009 Keystone Retaining Wall Systems

This document may contain proprietary information and shall not be duplicated in whole or in part, nor distributed to others without written consent of Keystone Retaining Wall Systems, Inc.

The suitability and/or manner of use of any details contained in this document is the sole responsibility of the user. Final project specific designs shall be prepared by a licensed professional engineer.



4444 W 78th Street
Minneapolis, MN 55435
952-897-1040

Designed By:
RKM

Checked By:

Scale:
1/2" = 1'-0"

Title:

5th Course Layout Details

Project:

Sunderland 42" Wood Fireplace Kit Details

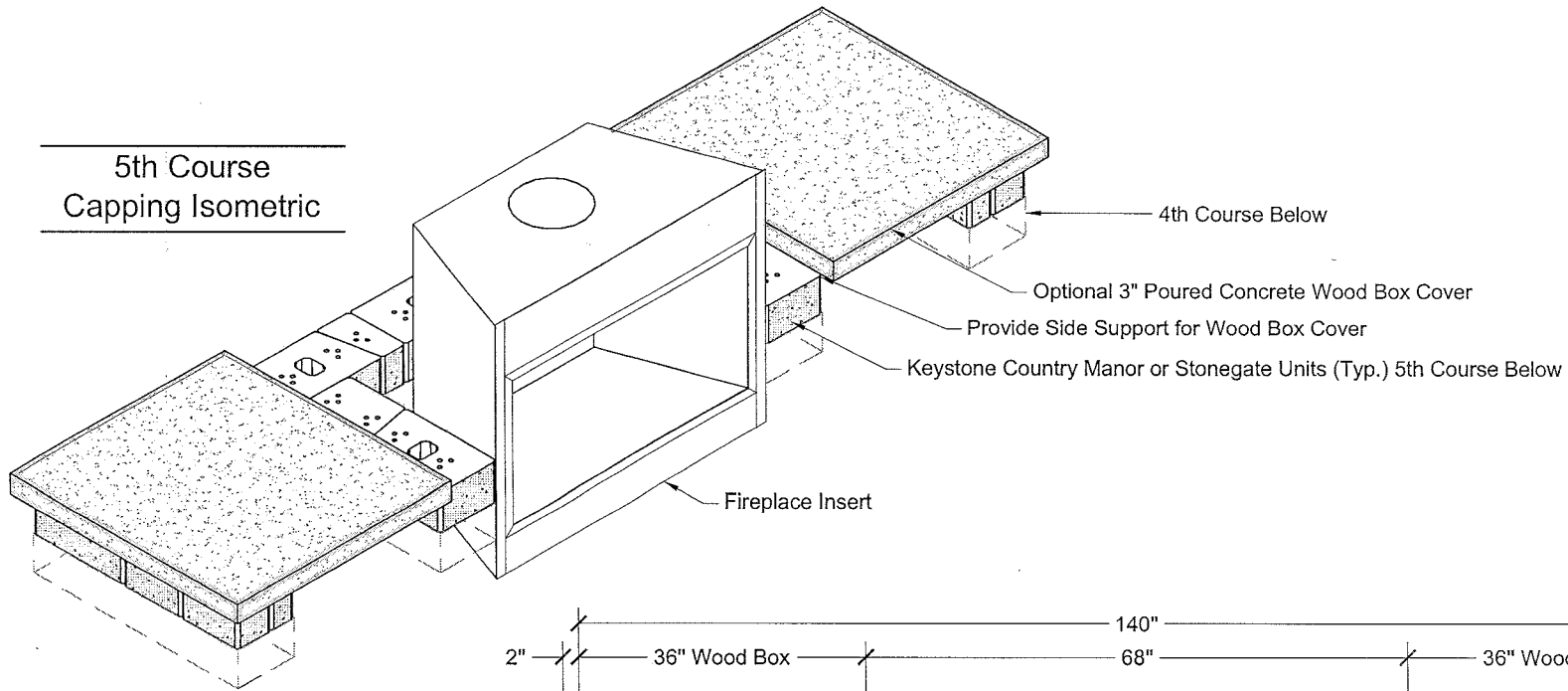
Date:

04/2009

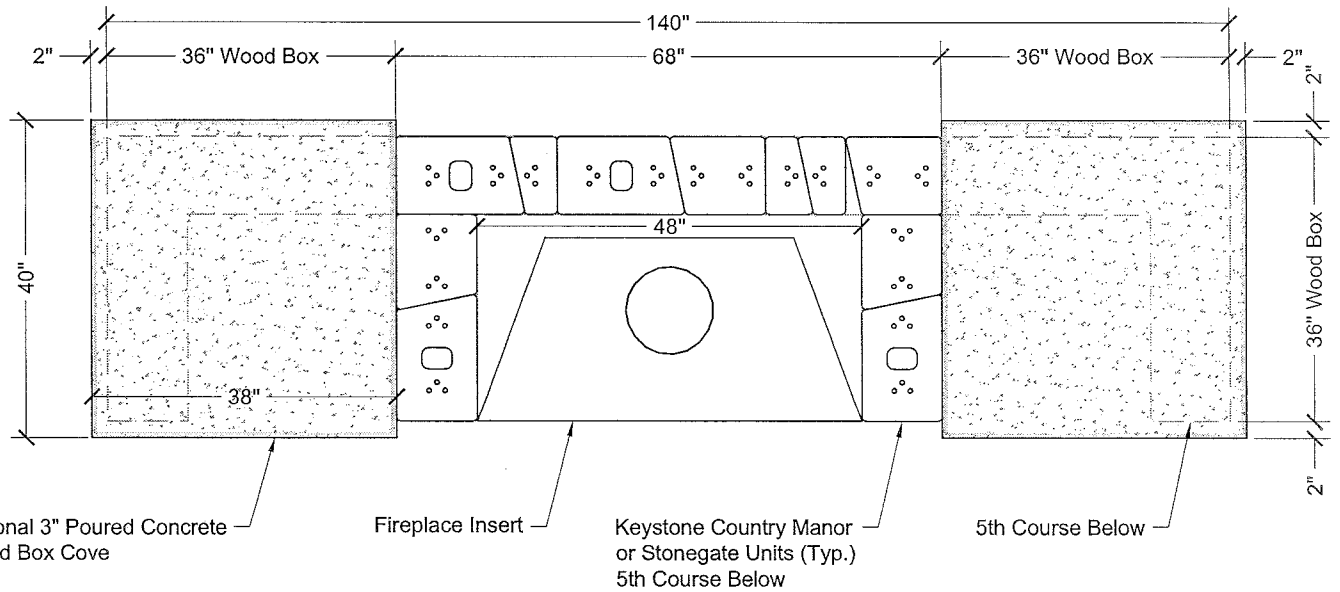
Drawing No:

1 of 1

5th Course Capping Isometric



5th Course Capping Plan



- Note:**
 This fireplace design uses either Keystone Country Manor or Stonegate units.
 Units shown are dimensioned as follows:
- Large Unit "A" - 16"/14"
 - Medium Unit "B" - 12"/10"
 - Small unit "C" - 6"/4"
 - All Units are 10" in depth

Copyright 2009 Keystone Retaining Wall Systems

This document may contain proprietary information and shall not be duplicated in whole or in part, nor distributed to others without written consent of Keystone Retaining Wall Systems, Inc.

The suitability and/or manner of use of any details contained in this document is the sole responsibility of the user. Final project specific designs shall be prepared by a licensed professional engineer.



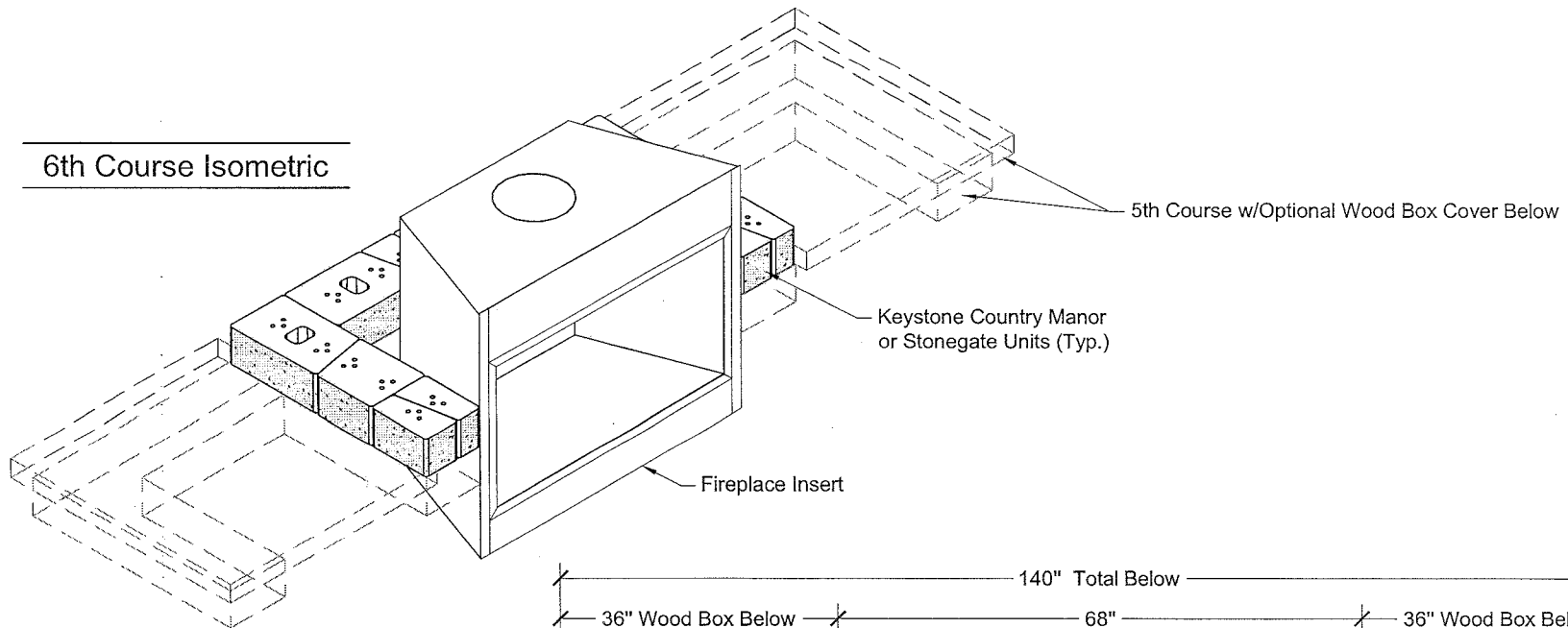
4444 W 78th Street
 Minneapolis, MN 55435
 952-897-1040

Designed By:
 RKM
 Checked By:
 Scale:
 1/2" = 1'-0"

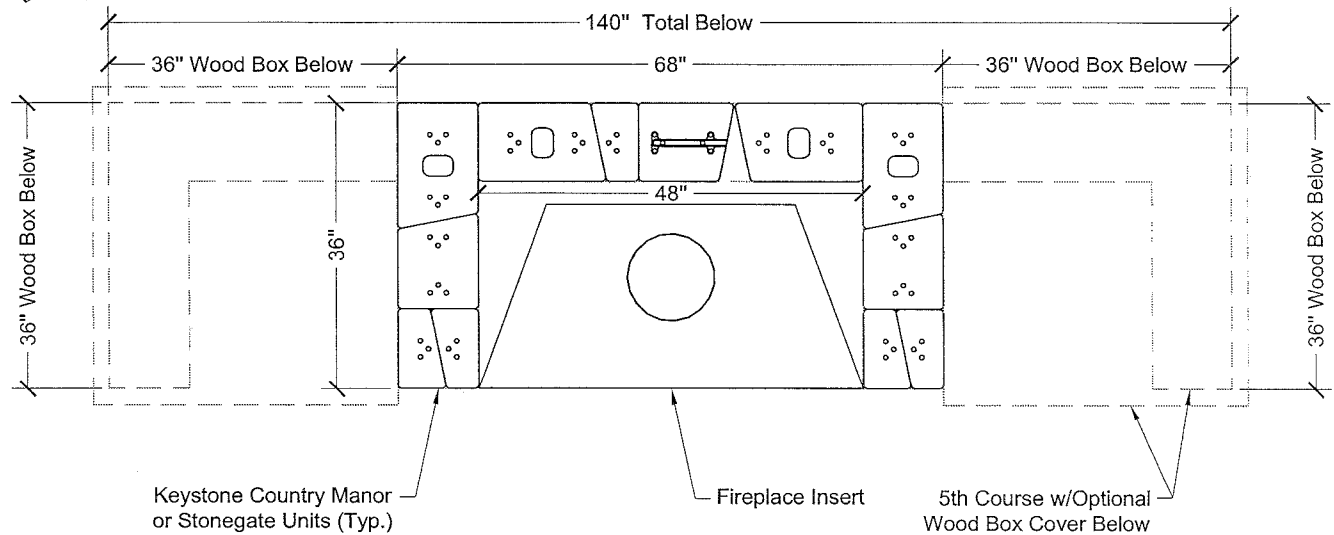
Title:
 5th Course Capping Layout Details
 Project:
 Sunderland 42" Wood Fireplace Kit Details

Date:
 04/2009
 Drawing No:
 1 of 1

6th Course Isometric



6th Course Plan



Note:

This fireplace design uses either Keystone Country Manor or Stonegate units.

Units shown are dimensioned as follows:

- Large Unit "A" - 16"/14"
- Medium Unit "B" - 12"/10"
- Small unit "C" - 6"/4"
- All Units are 10" in depth

Copyright 2009 Keystone Retaining Wall Systems

This document may contain proprietary information and shall not be duplicated in whole or in part, nor distributed to others without written consent of Keystone Retaining Wall Systems, Inc.

The suitability and/or manner of use of any details contained in this document is the sole responsibility of the user. Final project specific designs shall be prepared by a licensed professional engineer.



4444 W 78th Street
Minneapolis, MN 55435
952-897-1040

Designed By:
RKM

Checked By:

Scale:
1/2" = 1'-0"

Title:

6th Course Layout Details

Project:

Sunderland 42" Wood Fireplace Kit Details

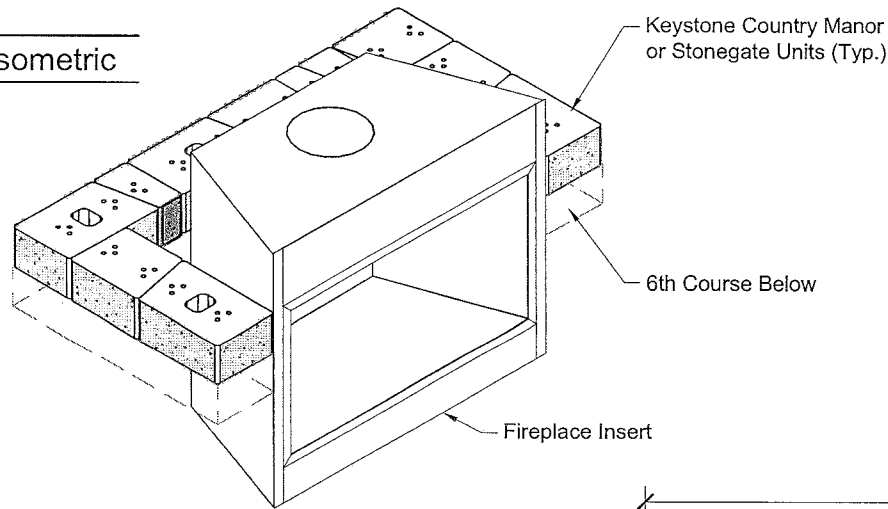
Date:

04/2009

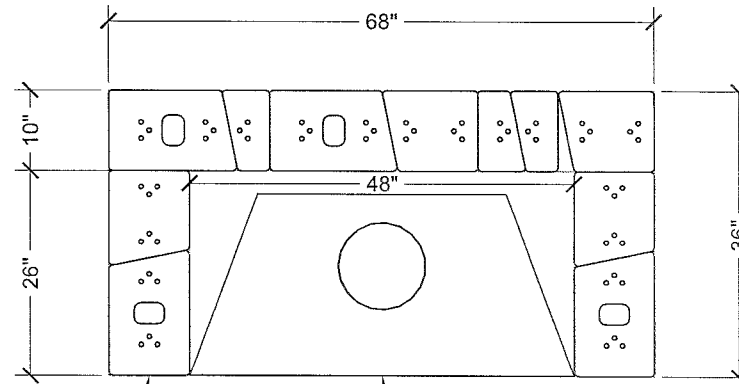
Drawing No:

1 of 1

7th Course Isometric



7th Course Plan



Note:

This fireplace design uses either Keystone Country Manor or Stonegate units.

Units shown are dimensioned as follows:

- Large Unit "A" - 16"/14"
- Medium Unit "B" - 12"/10"
- Small unit "C" - 6"/4"
- All Units are 10" in depth

Copyright 2009 Keystone Retaining Wall Systems

This document may contain proprietary information and shall not be duplicated in whole or in part, nor distributed to others without written consent of Keystone Retaining Wall Systems, Inc.

The suitability and/or manner of use of any details contained in this document is the sole responsibility of the user. Final project specific designs shall be prepared by a licensed professional engineer.



4444 W 78th Street
Minneapolis, MN 55435
952-897-1040

Designed By:
RKM

Checked By:

Scale:
1/2" = 1'-0"

Title:

7th Course Layout Details

Project:

Sunderland 42" Wood Fireplace Kit Details

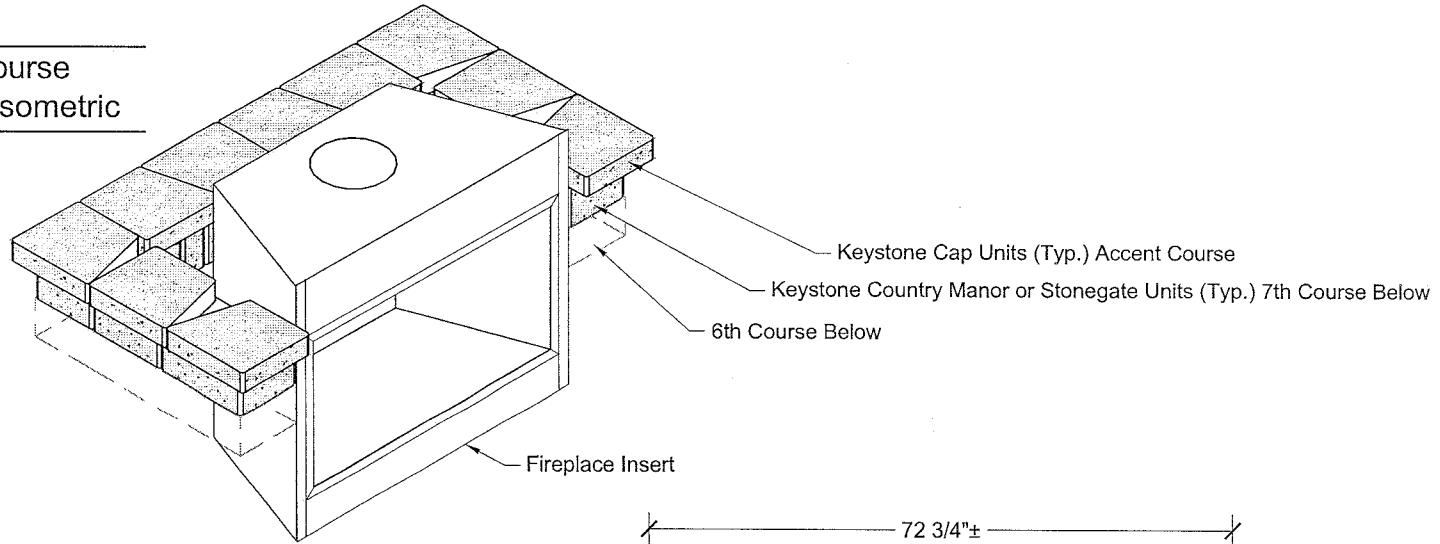
Date:

04/2009

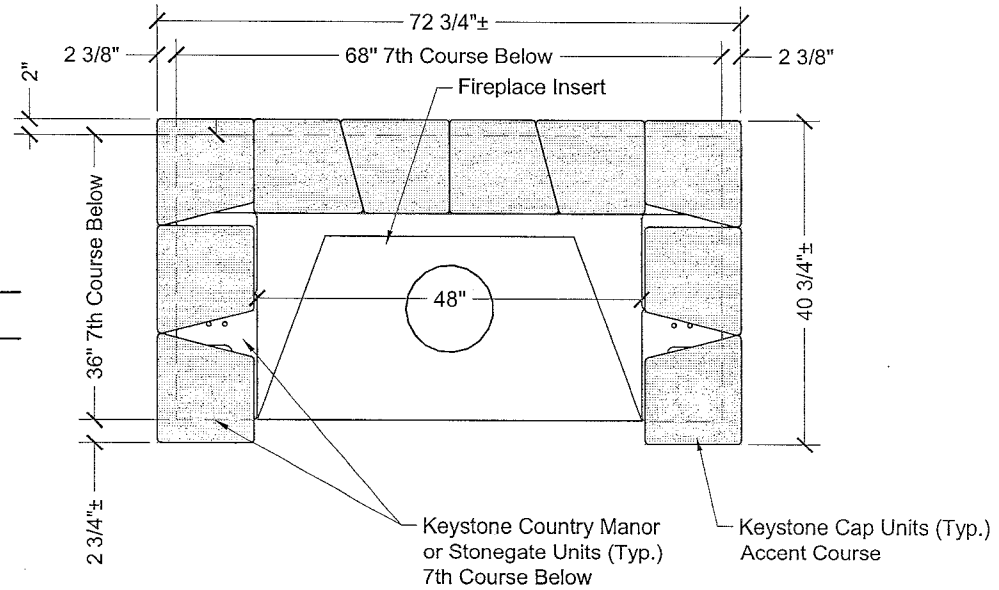
Drawing No:

1 of 1

**7th Course
Capping Isometric**



7th Course Capping Plan



Note:

This fireplace design uses either Keystone Country Manor or Stonegate units.

Units shown are dimensioned as follows:

- Large Unit "A" - 16"/14"
- Medium Unit "B" - 12"/10"
- Small unit "C" - 6"/4"
- All Units are 10" in depth

Copyright 2009 Keystone Retaining Wall Systems

This document may contain proprietary information and shall not be duplicated in whole or in part, nor distributed to others without written consent of Keystone Retaining Wall Systems, Inc.

The suitability and/or manner of use of any details contained in this document is the sole responsibility of the user. Final project specific designs shall be prepared by a licensed professional engineer.



4444 W 78th Street
Minneapolis, MN 55435
952-897-1040

Designed By:

RKM

Checked By:

Scale:

1/2" = 1'-0"

Title:

7th Course Capping Layout Details

Project:

Sunderland 42" Wood Fireplace Kit Details

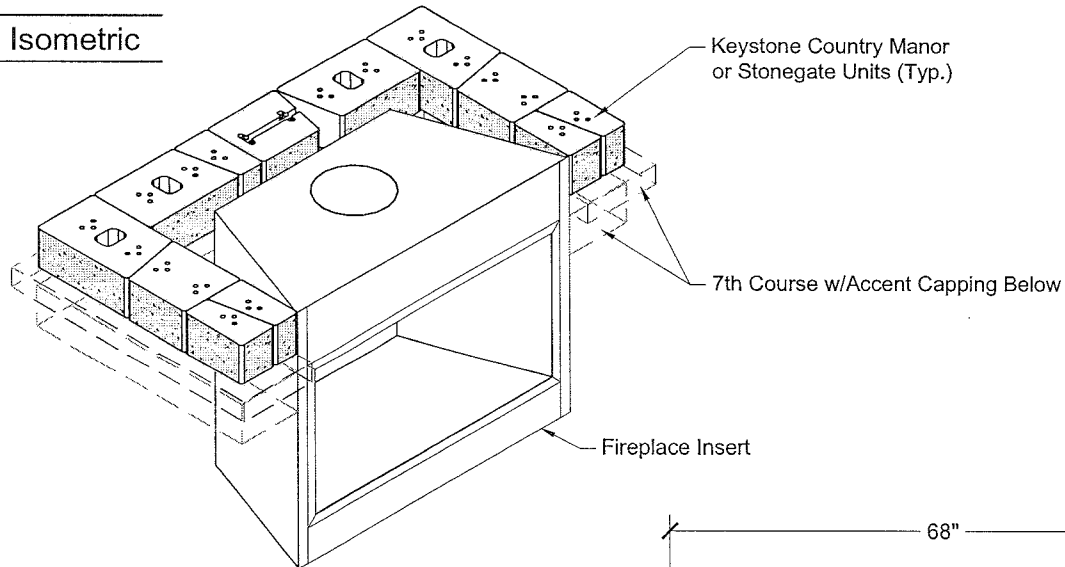
Date:

04/2009

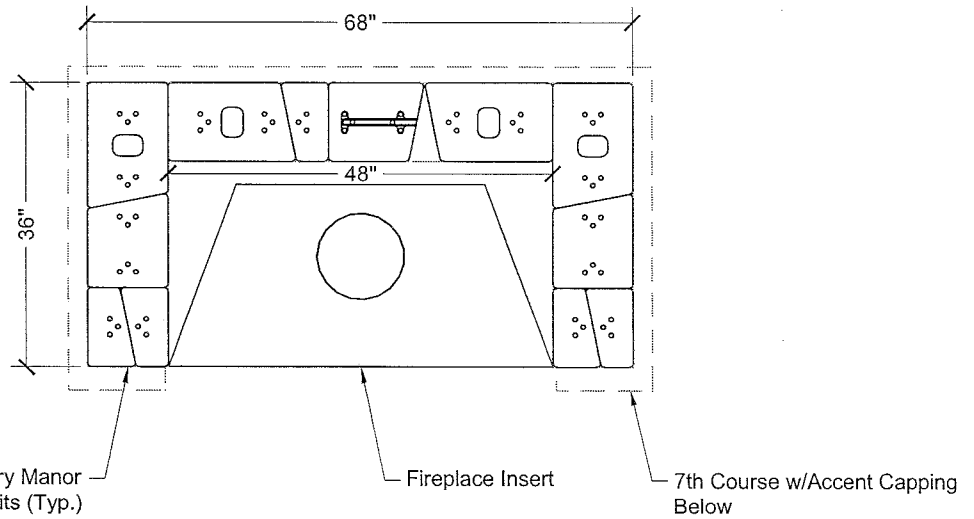
Drawing No:

1 of 1

8th Course Isometric



8th Course Plan



Note:

This fireplace design uses either Keystone Country Manor or Stonegate units.

Units shown are dimensioned as follows:

- Large Unit "A" - 16"/14"
- Medium Unit "B" - 12"/10"
- Small unit "C" - 6"/4"
- All Units are 10" in depth

Copyright 2009 Keystone Retaining Wall Systems

This document may contain proprietary information and shall not be duplicated in whole or in part, nor distributed to others without written consent of Keystone Retaining Wall Systems, Inc.

The suitability and/or manner of use of any details contained in this document is the sole responsibility of the user. Final project specific designs shall be prepared by a licensed professional engineer.



4444 W 78th Street
Minneapolis, MN 55435
952-897-1040

Designed By:
RKM

Checked By:

Scale:
1/2" = 1'-0"

Title:

8th Course Layout Details

Project:

Sunderland 42" Wood Fireplace Kit Details

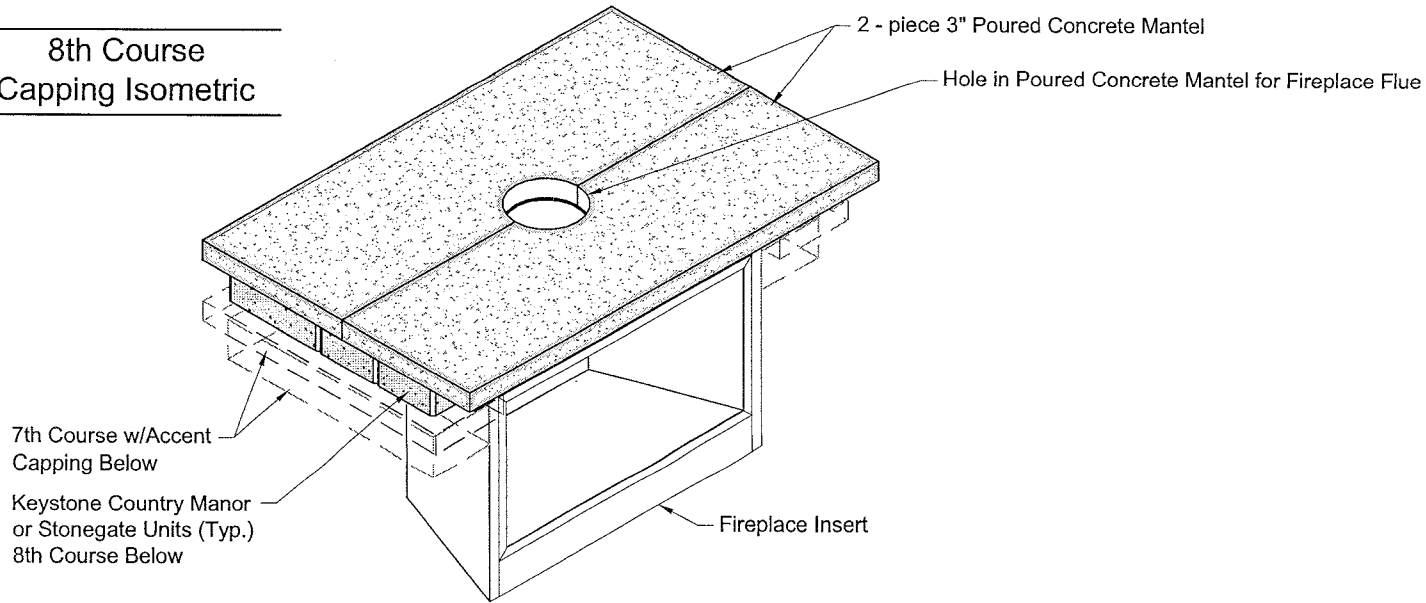
Date:

04/2009

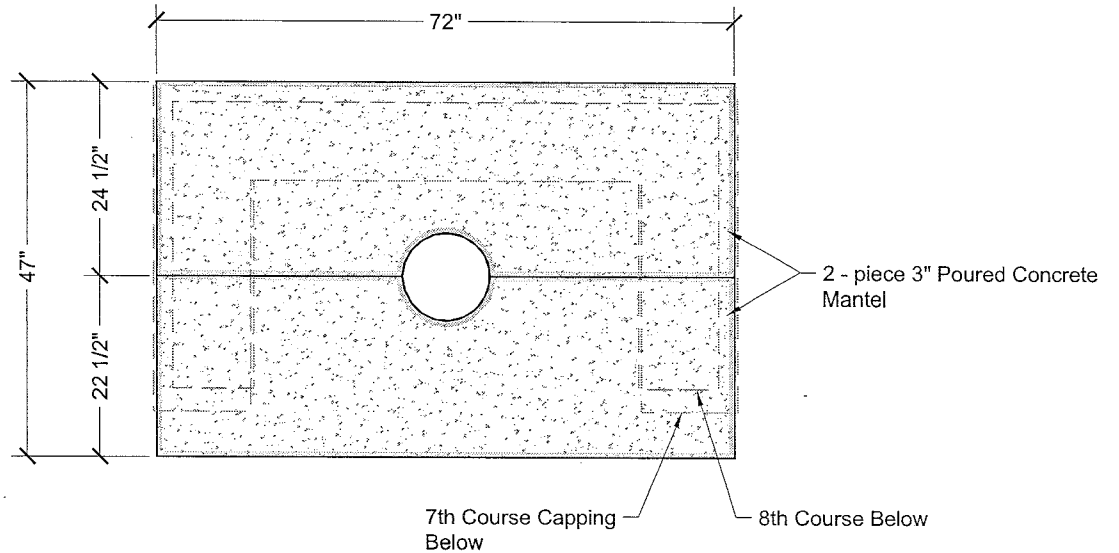
Drawing No:

1 of 1

**8th Course
Capping Isometric**



8th Course Capping Plan



Note:

This fireplace design uses either Keystone Country Manor or Stonegate units.

Units shown are dimensioned as follows:

- Large Unit "A" - 16"/14"
- Medium Unit "B" - 12"/10"
- Small unit "C" - 6"/4"
- All Units are 10" in depth

Copyright 2009 Keystone Retaining Wall Systems

This document may contain proprietary information and shall not be duplicated in whole or in part, nor distributed to others without written consent of Keystone Retaining Wall Systems, Inc.

The suitability and/or manner of use of any details contained in this document is the sole responsibility of the user. Final project specific designs shall be prepared by a licensed professional engineer.



4444 W 78th Street
Minneapolis, MN 55435
952-897-1040

Designed By:
RKM

Checked By:

Scale:
1/2" = 1'-0"

Title:

8th Course Capping Layout Details

Project:

Sunderland 42" Wood Fireplace Kit Details

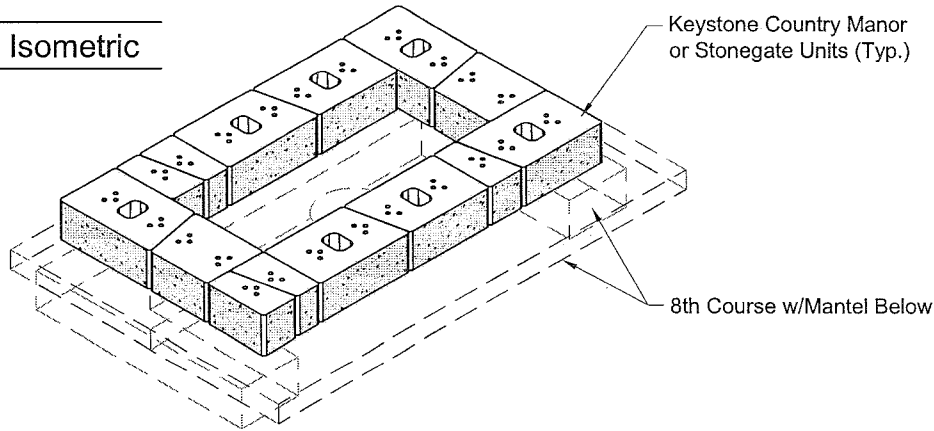
Date:

04/2009

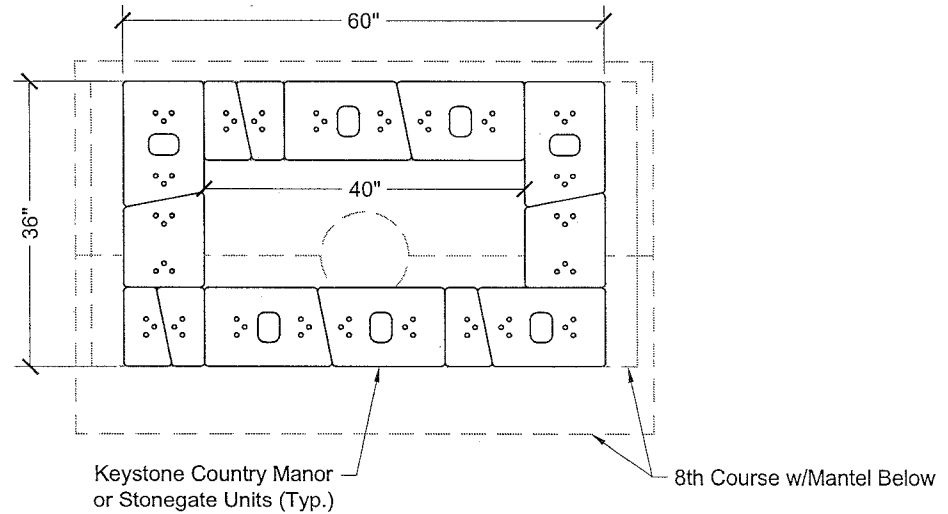
Drawing No:

1 of 1

9th Course Isometric



9th Course Plan



Note:

This fireplace design uses either Keystone Country Manor or Stonegate units.

Units shown are dimensioned as follows:

- Large Unit "A" - 16"/14"
- Medium Unit "B" - 12"/10"
- Small unit "C" - 6"/4"
- All Units are 10" in depth

Copyright 2009 Keystone Retaining Wall Systems

This document may contain proprietary information and shall not be duplicated in whole or in part, nor distributed to others without written consent of Keystone Retaining Wall Systems, Inc.

The suitability and/or manner of use of any details contained in this document is the sole responsibility of the user. Final project specific designs shall be prepared by a licensed professional engineer.



4444 W 78th Street
Minneapolis, MN 55435
952-897-1040

Designed By:
RKM

Checked By:

Scale:
1/2" = 1'-0"

Title:

9th Course Layout Details

Project:

Sunderland 42" Wood Fireplace Kit Details

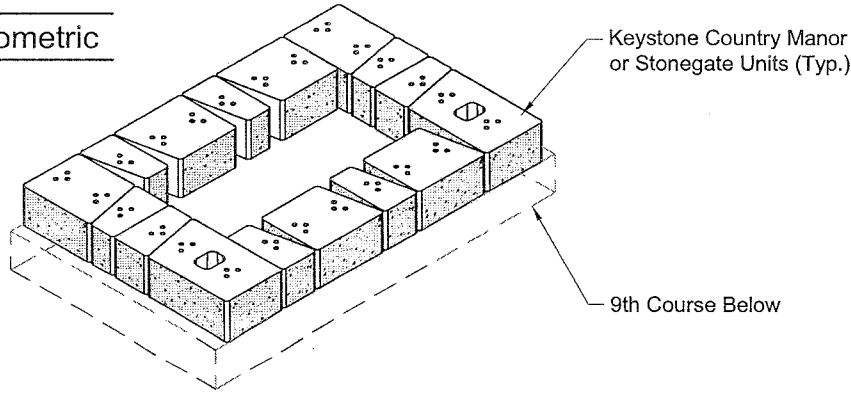
Date:

04/2009

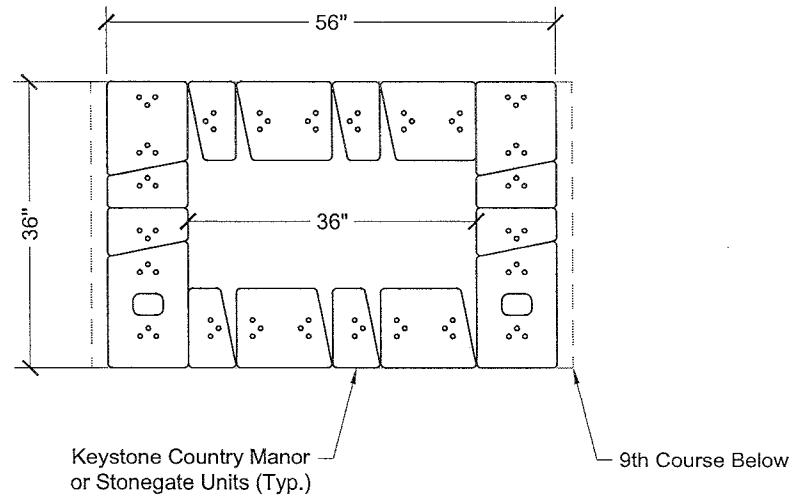
Drawing No:

1 of 1

10th Course Isometric



10th Course Plan



- Note:**
 This fireplace design uses either Keystone Country Manor or Stonegate units.
 Units shown are dimensioned as follows:
- Large Unit "A" - 16"/14"
 - Medium Unit "B" - 12"/10"
 - Small unit "C" - 6"/4"
 - All Units are 10" in depth

Copyright 2009 Keystone Retaining Wall Systems
 This document may contain proprietary information and shall not be duplicated in whole or in part, nor distributed to others without written consent of Keystone Retaining Wall Systems, Inc.
 The suitability and/or manner of use of any details contained in this document is the sole responsibility of the user. Final project specific designs shall be prepared by a licensed professional engineer.

KEYSTONE
 RETAINING WALL SYSTEMS
 A CONTECH COMPANY

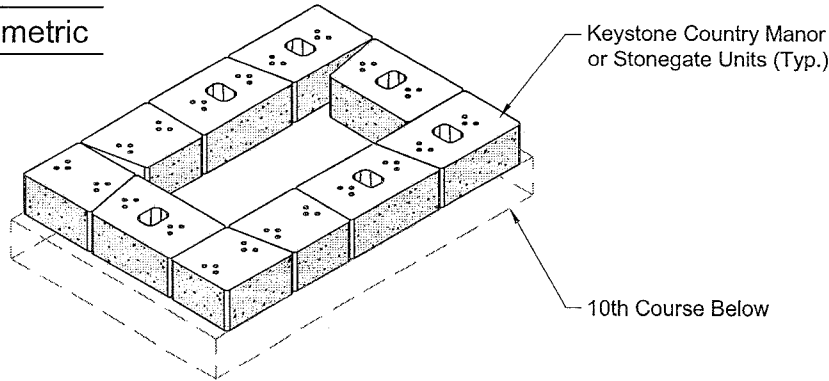
4444 W 78th Street
 Minneapolis, MN 55435
 952-897-1040

Designed By: RKM
Checked By:
Scale: 1/2" = 1'-0"

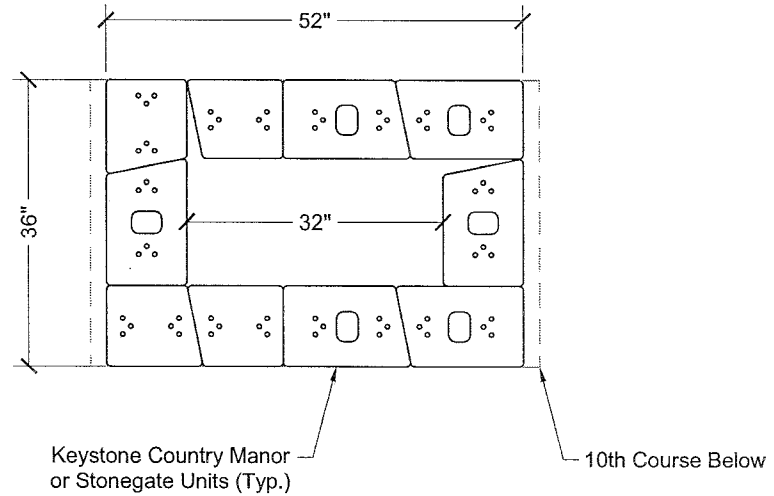
Title: 10th Course Layout Details
Project: Sunderland 42" Wood Fireplace Kit Details

Date: 04/2009
Drawing No: 1 of 1

11th Course Isometric



11th Course Plan



Note:

This fireplace design uses either Keystone Country Manor or Stonegate units.

Units shown are dimensioned as follows:

- Large Unit "A" - 16"/14"
- Medium Unit "B" - 12"/10"
- Small unit "C" - 6"/4"
- All Units are 10" in depth

Copyright 2009 Keystone Retaining Wall Systems

This document may contain proprietary information and shall not be duplicated in whole or in part, nor distributed to others without written consent of Keystone Retaining Wall Systems, Inc.

The suitability and/or manner of use of any details contained in this document is the sole responsibility of the user. Final project specific designs shall be prepared by a licensed professional engineer.



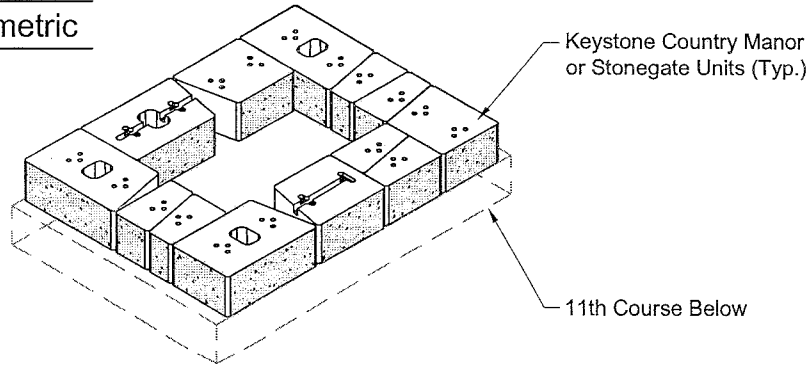
4444 W 78th Street
Minneapolis, MN 55435
952-897-1040

Designed By:
RKM
Checked By:
Scale:
1/2" = 1'-0"

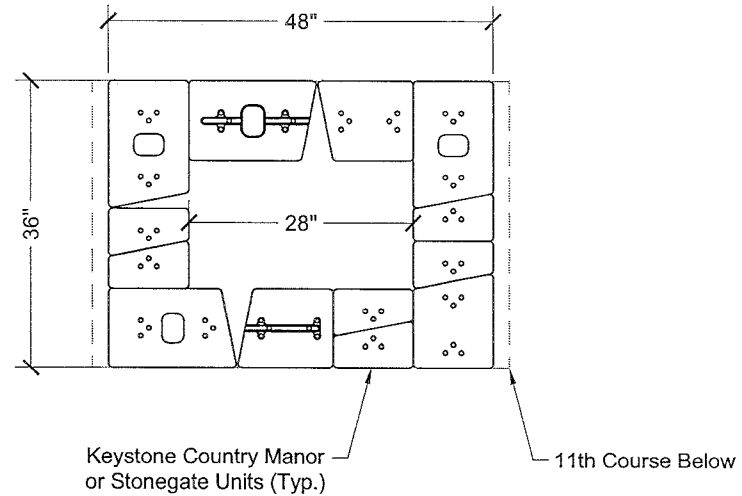
Title:
11th Course Layout Details
Project:
Sunderland 42" Wood Fireplace Kit Details

Date:
04/2009
Drawing No:
1 of 1

12th Course Isometric



12th Course Plan



Note:

This fireplace design uses either Keystone Country Manor or Stonegate units.

Units shown are dimensioned as follows:

- Large Unit "A" - 16"/14"
- Medium Unit "B" - 12"/10"
- Small unit "C" - 6"/4"
- All Units are 10" in depth

Copyright 2009 Keystone Retaining Wall Systems

This document may contain proprietary information and shall not be duplicated in whole or in part, nor distributed to others without written consent of Keystone Retaining Wall Systems, Inc.

The suitability and/or manner of use of any details contained in this document is the sole responsibility of the user. Final project specific designs shall be prepared by a licensed professional engineer.



4444 W 78th Street
Minneapolis, MN 55435
952-897-1040

Designed By:

RKM

Checked By:

Scale:

1/2" = 1'-0"

Title:

12th Course Layout Details

Project:

Sunderland 42" Wood Fireplace Kit Details

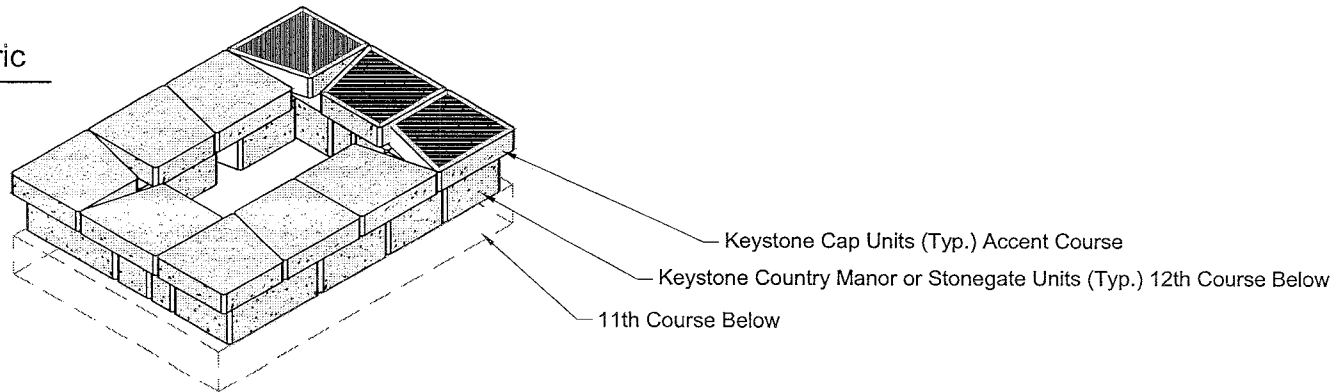
Date:

04/2009

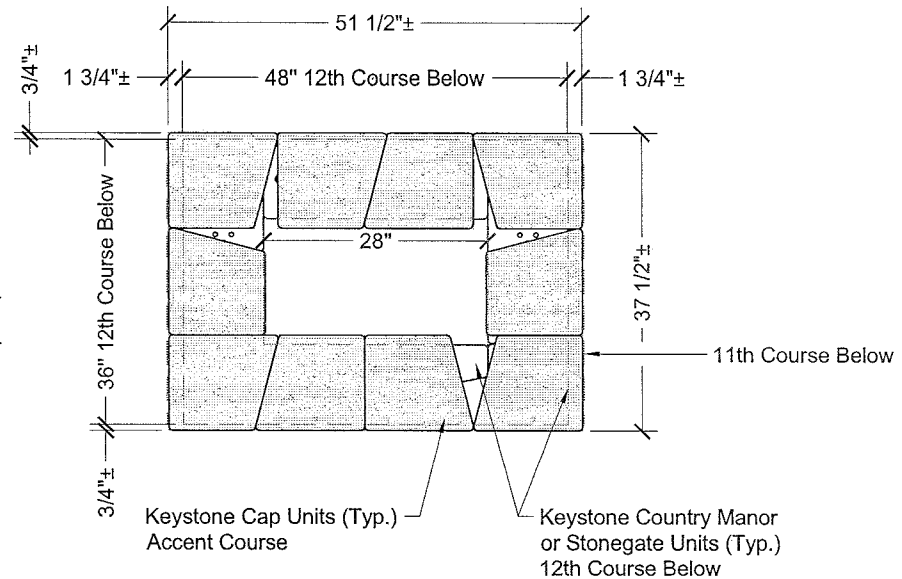
Drawing No:

1 of 1

12th Course Capping Isometric



12th Course Capping Plan



Note:

This fireplace design uses either Keystone Country Manor or Stonegate units.

Units shown are dimensioned as follows:

- Large Unit "A" - 16"/14"
- Medium Unit "B" - 12"/10"
- Small unit "C" - 6"/4"
- All Units are 10" in depth

Copyright 2009 Keystone Retaining Wall Systems

This document may contain proprietary information and shall not be duplicated in whole or in part, nor distributed to others without written consent of Keystone Retaining Wall Systems, Inc.

The suitability and/or manner of use of any details contained in this document is the sole responsibility of the user. Final project specific designs shall be prepared by a licensed professional engineer.



4444 W 78th Street
Minneapolis, MN 55435
952-897-1040

Designed By:
RKM

Checked By:

Scale:
1/2" = 1'-0"

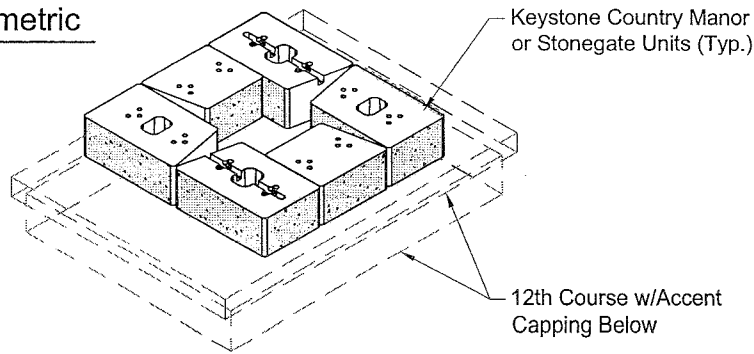
Title:
12th Course Capping Layout Details

Project:
Sunderland 42" Wood Fireplace Kit Details

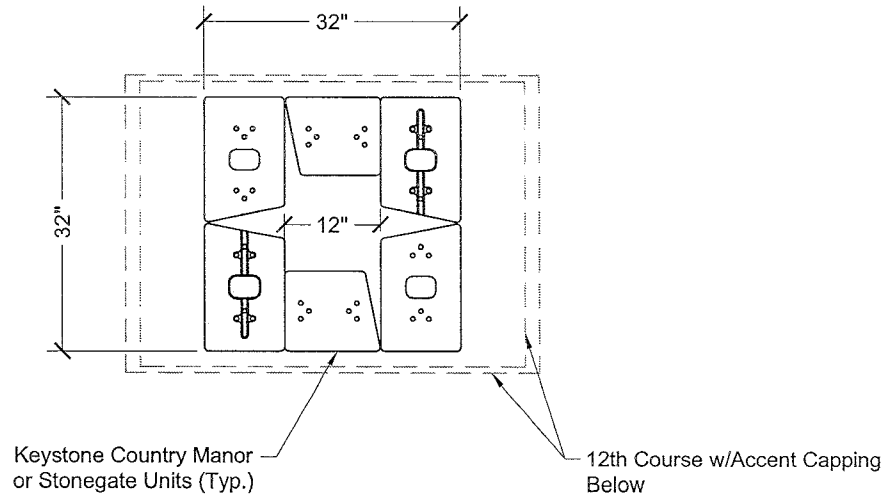
Date:
04/2009

Drawing No:
1 of 1

13th Course Isometric



13th Course Plan



Note:

This fireplace design uses either Keystone Country Manor or Stonegate units.

Units shown are dimensioned as follows:

- Large Unit "A" - 16"/14"
- Medium Unit "B" - 12"/10"
- Small unit "C" - 6"/4"
- All Units are 10" in depth

Copyright 2009 Keystone Retaining Wall Systems

This document may contain proprietary information and shall not be duplicated in whole or in part, nor distributed to others without written consent of Keystone Retaining Wall Systems, Inc.

The suitability and/or manner of use of any details contained in this document is the sole responsibility of the user. Final project specific designs shall be prepared by a licensed professional engineer.



4444 W 78th Street
Minneapolis, MN 55435
952-897-1040

Designed By:
RKM

Checked By:

Scale:
1/2" = 1'-0"

Title:

13th Course Layout Details

Project:

Sunderland 42" Wood Fireplace Kit Details

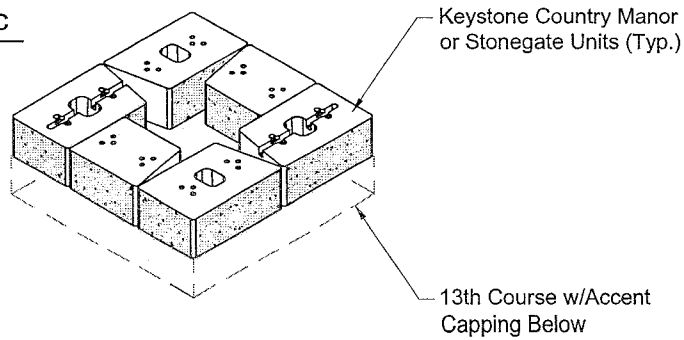
Date:

04/2009

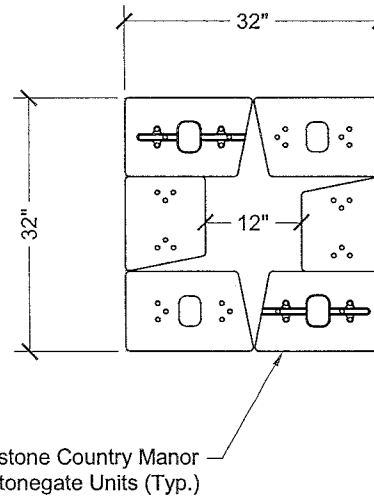
Drawing No:

1 of 1

14th Course Isometric



14th Course Plan



Note:

This fireplace design uses either Keystone Country Manor or Stonegate units.

Units shown are dimensioned as follows:

- Large Unit "A" - 16"/14"
- Medium Unit "B" - 12"/10"
- Small unit "C" - 6"/4"
- All Units are 10" in depth

Copyright 2009 Keystone Retaining Wall Systems

This document may contain proprietary information and shall not be duplicated in whole or in part, nor distributed to others without written consent of Keystone Retaining Wall Systems, Inc.

The suitability and/or manner of use of any details contained in this document is the sole responsibility of the user. Final project specific designs shall be prepared by a licensed professional engineer.



4444 W 78th Street
Minneapolis, MN 55435
952-897-1040

Designed By:
RKM

Checked By:

Scale:
1/2" = 1'-0"

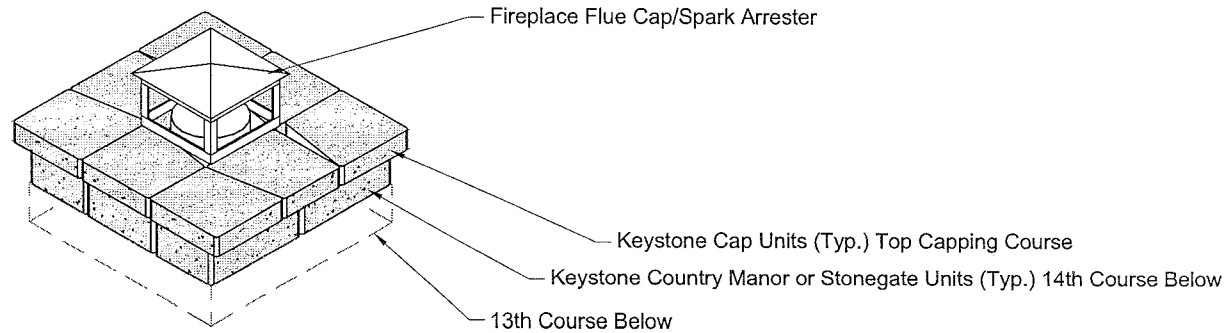
Title:
14th Course Layout Details

Project:
Sunderland 42" Wood Fireplace Kit Details

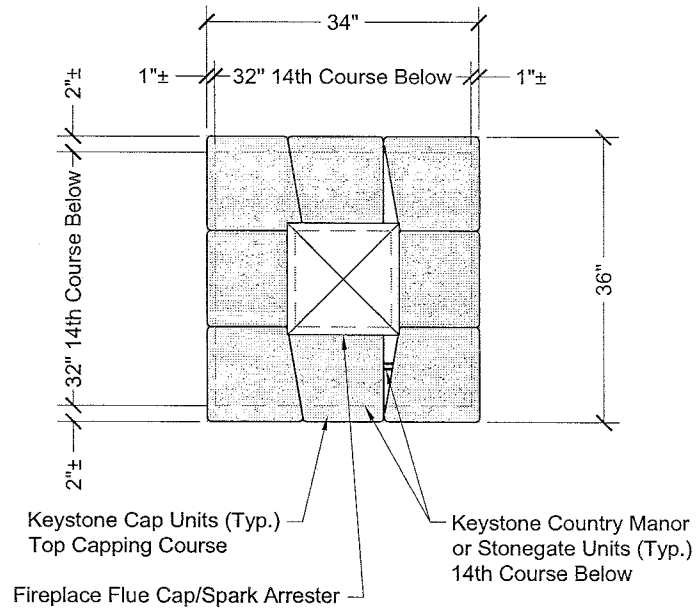
Date:
04/2009

Drawing No:
1 of 1

**14th Course
Capping Isometric**



14th Course Capping Plan



Note:

This fireplace design uses either Keystone Country Manor or Stonegate units.

Units shown are dimensioned as follows:

- Large Unit "A" - 16"/14"
- Medium Unit "B" - 12"/10"
- Small unit "C" - 6"/4"
- All Units are 10" in depth

Copyright 2009 Keystone Retaining Wall Systems

This document may contain proprietary information and shall not be duplicated in whole or in part, nor distributed to others without written consent of Keystone Retaining Wall Systems, Inc.

The suitability and/or manner of use of any details contained in this document is the sole responsibility of the user. Final project specific designs shall be prepared by a licensed professional engineer.



4444 W 78th Street
Minneapolis, MN 55435
952-897-1040

Designed By:
RKM

Checked By:

Scale:
1/2" = 1'-0"

Title:
14th Course Capping Layout Details

Project:
Sunderland 42" Wood Fireplace Kit Details

Date:
04/2009

Drawing No:
1 of 1